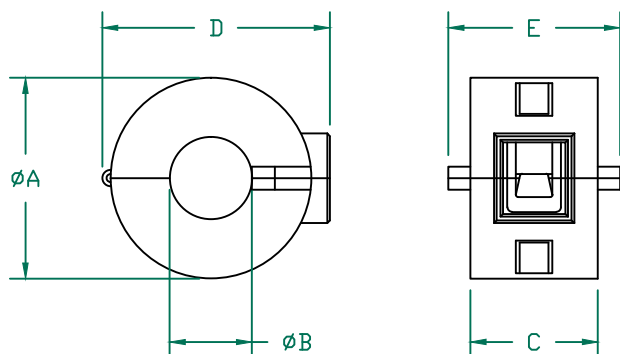


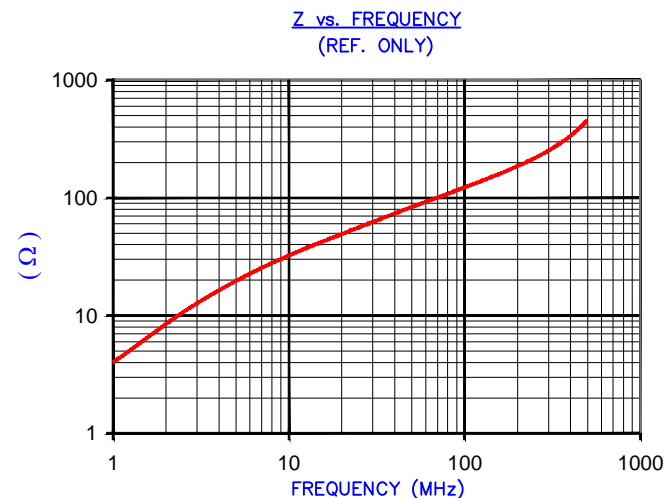
CORE (28A3039-000)

FERRITE CORE DIMENSIONS (SPEC): mm [in]

A	20.46 [.806]	+	REF.
B	10.23 [.403]	+	"
C	10.00 [.394]	+	"
D	10.23 [.403]	+	"



IMPEDANCE (Z)			
Frequency	25 MHz	100 MHz	300 MHz
Nominal (REF)	55 Ω	130 Ω	250 Ω
Minimum	- Ω	104 Ω	- Ω



AGILENT E4991A Impedance/Material Analyzer
HP 16092A-Test Fixture, REF 3399

NOTES:

- CASE UL FLAMMABILITY RATING: 94 V-0
- ASSEMBLED PART #: 28A3039-0A2
- FOR CORE DIMENSIONS SEE STEWARD P/N 28A3039-000.
- CASE COLOR: -0A2 BLACK CASE.
- COSMETIC SPECIFICATION REFER TO WI-QA-038.

CASE DIMENSIONS (SPEC): mm [in]

A	24.55 [.967]	+	0.45 [.018]
B	10.20 [.402]	+	0.50 [.020]
C	13.60 [.535]	+	0.40 [.016]
D	28.50 [1.122]	+	0.60 [.024]
E	19.90 [.783]	+	0.70 [.028]

DIMENSIONS ARE IN mm [INCHES].				This print is the property of Laird Tech. and is loaned in confidence subject to return upon request and with the understanding that no copies shall be made without the written consent of Laird Tech. All rights to design or invention are reserved.					
REV	DESCRIPTION	DATE	INT					REV	PART TYPE:
J	UPDATE COMPANY LOGO ,ADD NOTE 5	08/23/14	QIU	PROJECT/PART NUMBER: 28A3039-0A2		J	FERRITE SNAP-ON	TMB	
H	UPDATE CASE TOLERANCES UPDATE COMPANY LOGO	05/08/08	TMB			DATE:	06/27/01	SCALE:	NTS
G	UPDATE Z SPECS AND COMPANY LOGO	07/03/07	JRK	CAD #		TOOL #		-	
F	RE-ACTIVATE PRINT, REM NOTE 4, UPDATE Z SPECS, ADD REF NUMBER	7/21/04	JRK						
E	CHANGE P/N FROM -0A* TO -0A2 REVISE NOTES 2, 4, & 5	08/15/03	TMB						
D	CHANGE PRINT FORMAT CHANGE Z SPECS AND ADD CURVE REVISE NOTE 3,4,& 5	06/26/03	TMB						
REV	DESCRIPTION	DATE	INT						