

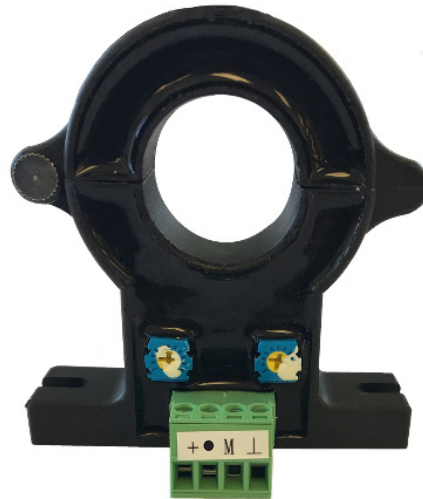
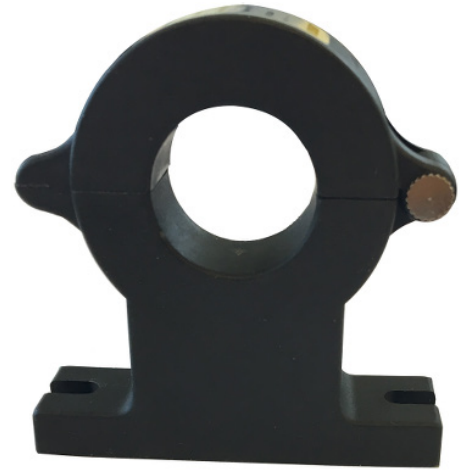
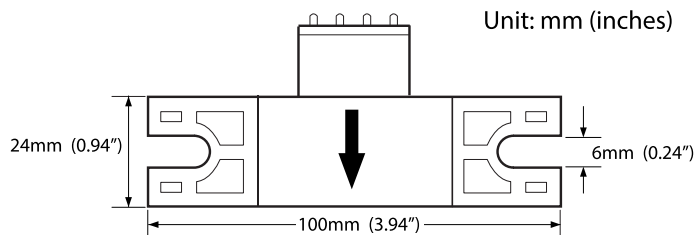
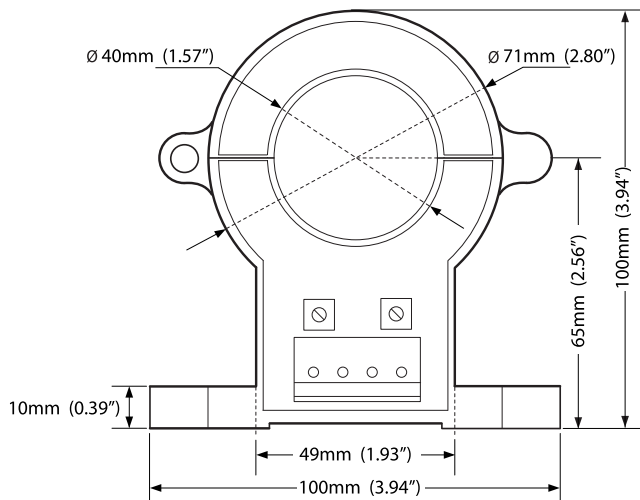
AIMH040 VT Series

40mm Hall Effect Current Sensor

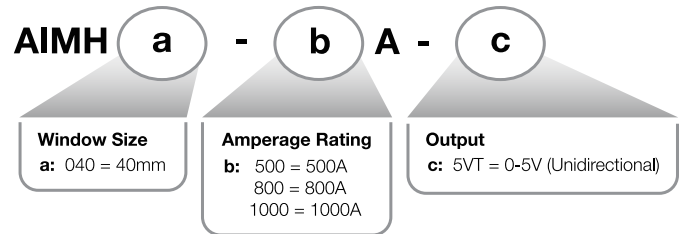
Aim Dynamics' AIMH040 VT series utilizes the Hall effect principle to measure DC current up to 1000A, unidirectional. It outputs a corresponding 0 to +5Vdc signal. The AIMH040 VT series is 1% accurate. The AIMH040 VT is not suitable for monitoring AC currents (use the AIMH040 standard series instead).

SPECIFICATIONS

Rated Primary Current	500A, 800A, 1000A
Rated Output	0 to +5Vdc
Power Supply	+12 Vdc Required, 35 mA max
Temperatures	Storage: -22°F to 221°F (-30° to 105°C) Operating: 14°F to 185°F (-10° to 85°C)
Offset	None
UL Max Voltage	600V on Bare Conductor
Operating Frequency	DC
Certifications	61010-1, EN 60044-1
Accuracy	+/-1% Class per IEC 61869-2
Weight	0.70 lbs (0.32 kg)



WIRING	
+	= +12 Vdc
M	= Signal
⊥	= Common

MODEL BUILDER

SAFETY

- CE and RoHS Compliant

