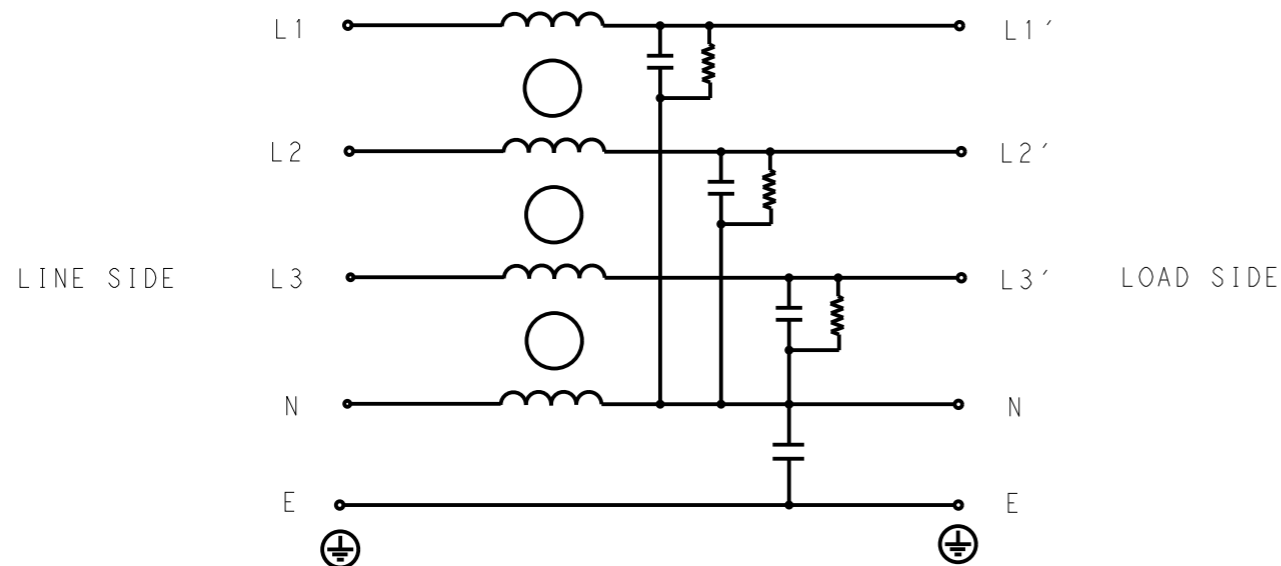


P	LTR	DESCRIPTION	DATE	DWN	APVD
	A	INITIAL RELEASE	14APR2021	SR	CB



SCHEMATIC

SAFETY ORGANIZATIONS

THIS FILTER WILL BE FORMALLY RECOGNIZED, CERTIFIED OR APPROVED BY THE LISTED AGENCY. THEREFORE, ALL TEST/REQUIREMENTS SPECIFIED IN THE LATEST REVISION OF THE FOLLOWING AGENCY STANDARDS WILL BE MET:

UL APPROVED 10A 440V 50Hz/60Hz 40°C
 CSA APPROVED 10A 440V 50Hz/60Hz 40°C

OPERATING SPECIFICATION

LINE CURRENT/VOLTAGE: 10A, 440VAC
 LINE FREQUENCY: 50/60Hz

MAXIMUM LEAKAGE CURRENT: 3mA @ 230VAC, 50Hz

OPERATING AMBIENT TEMPERATURE RANGE @ RATED CURRENT: -25°C TO +40°C

IN AN AMBIENT, T_a, HIGHER THAN 40°C, THE MAXIMUM OPERATING CURRENT, I_o, IS AS FOLLOWS:

$$I_o = I_r \sqrt{\frac{85 - T_a}{45}}$$

RELIABILITY SPECIFICATIONS

STORAGE TEMPERATURE: -40°C TO +85°C
 HUMIDITY: 21 DAYS @ 40°C AND 95% RH

TEST SPECIFICATIONS

INDUCTANCE, NOMINAL: 0.5mH

CAPACITANCE @ 1kHz

NEUTRAL TO GROUND, NOMINAL: 22nF
 LINE TO NEUTRAL, NOMINAL: 100nF

DISCHARGE RESISTOR

L/G I.R. 2MΩ 1W
 L/L I.R. 2MΩ 1W
 L/N I.R. 1MΩ 1W
 N/G I.R. 680KΩ 1W
 IR (NO DISCHARGE RESISTOR) 20°C, 50% RH AND 100VDC, MIN: 6MΩ

RECOMMENDED RECEIVING INSPECITON HIPOT

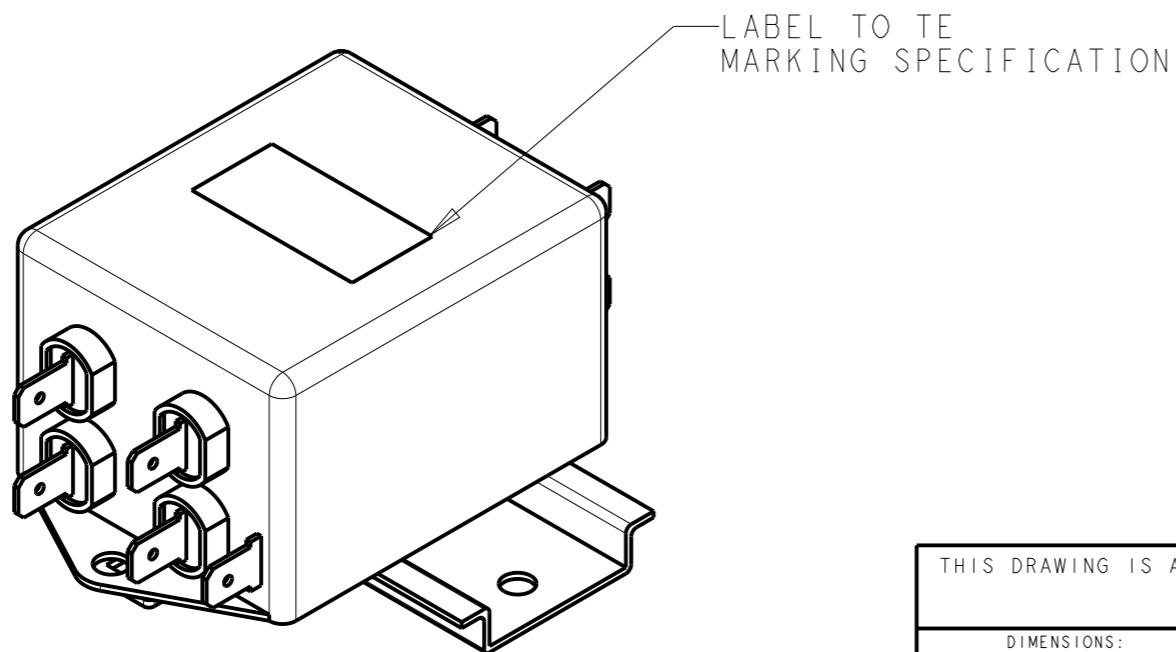
LINE TO GROUND FOR 1 MINUTE: 2632VDC
 LINE TO LINE FOR 1 MINUTE: 1892VDC
 LINE TO NEUTRAL FOR 1 MINUTE: 1093VDC

FILTER APPROVAL

THE BEST WAY TO SELECT AND QUALIFY A FILTER IS FOR YOUR ENGINEERING TO TEST THE UNIT IN YOUR EQUIPMENT.

TYPICAL INSERTION LOSS
 COMMON MODE 50/50Ω; DIFFERENTIAL MODE 50/50Ω

MHz	0.01	0.05	0.15	0.5	1	3	5	10	30
CM	3	4	15	25	29	32	30	35	29
DM	4	5	17	26	30	31	32	36	40



THIS DRAWING IS A CONTROLLED DOCUMENT.		DWN SUPREETH R 14APR2021		
		CHK CHRIS BOLLE 14APR2021		
		APVD CHRIS BOLLE 14APR2021		
		PRODUCT SPEC		
DIMENSIONS: mm		TOLERANCES UNLESS OTHERWISE SPECIFIED:		NAME POWER LINE FILTER FOR DIN RAIL 35 INSTALLATION 10KES11AFPWDM
		0 PLC ±-		SIZE A3
		1 PLC ±0.5		CAGE CODE 00779
		2 PLC ±0.40		DRAWING NO C-3-1609966-3
		3 PLC ±0.130		RESTRICTED TO -
		4 PLC ±0.0500		SCALE 1:1
		ANGLES ±-		SHEET 1 OF 2
MATERIAL -		FINISH -	WEIGHT -	REV A
			CUSTOMER DRAWING	

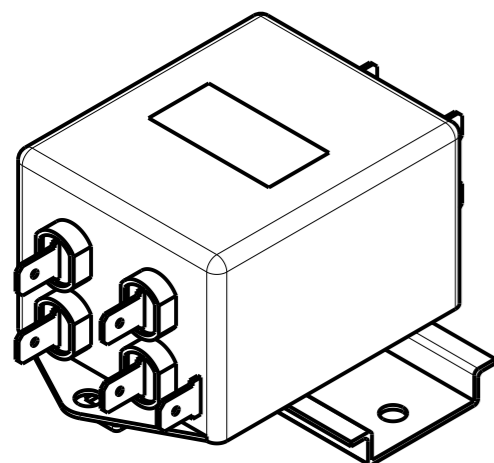
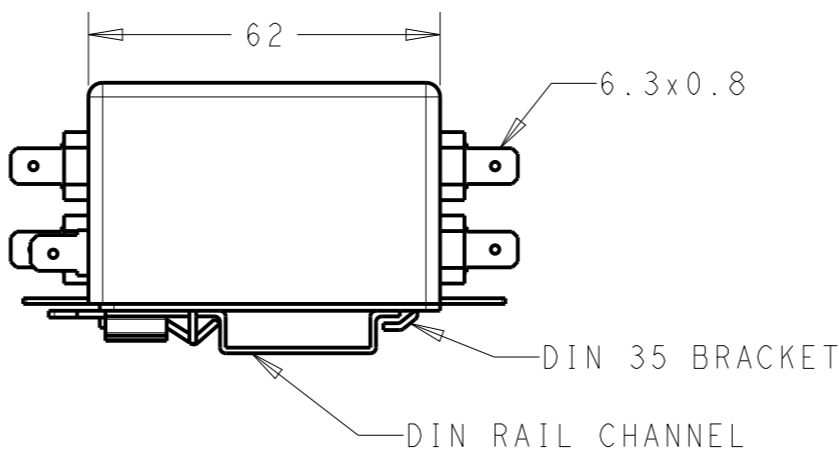
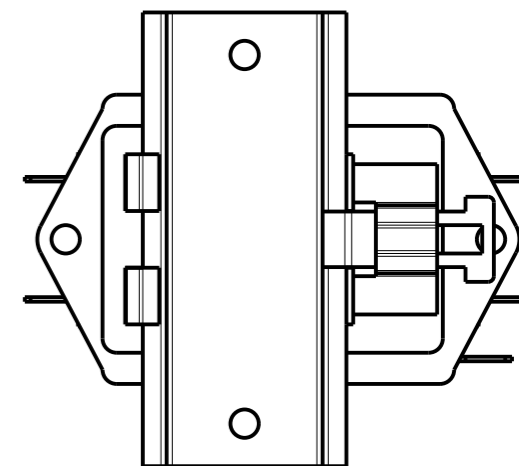
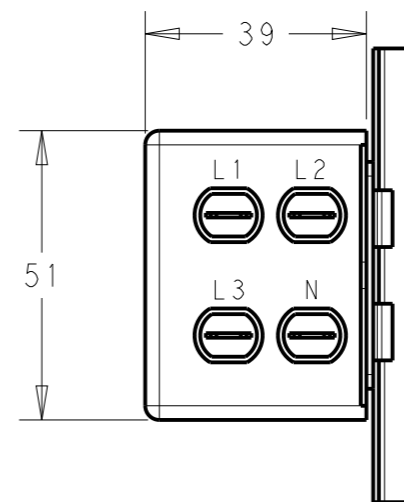
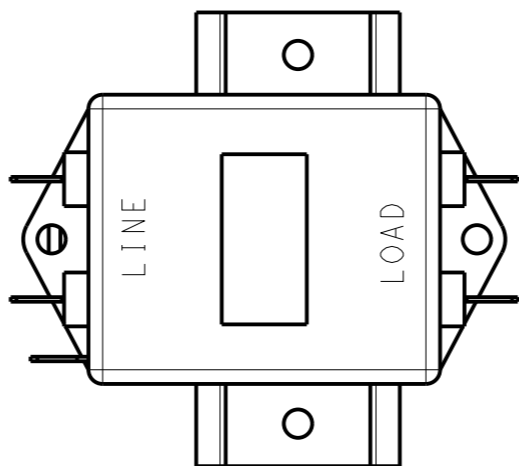
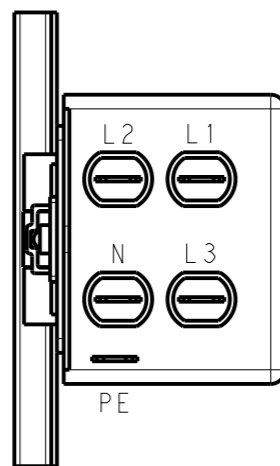
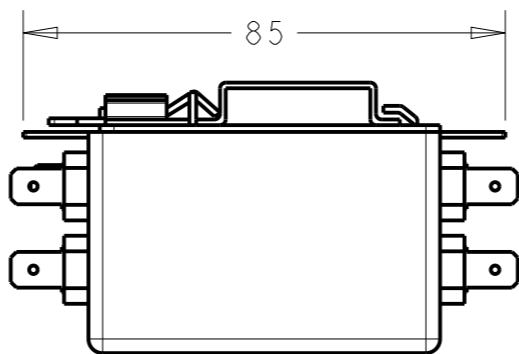
NOTE 1 GROUND CONNECTION:
FOR ELECTRICAL SAFETY AND FILTER PERFORMANCE
UNIT MUST HAVE A GOOD GROUND CONNECTION.

NOTE 2 INPUT OUTPUT CONNECTION TERMINAL
AWG SIZE: XXX

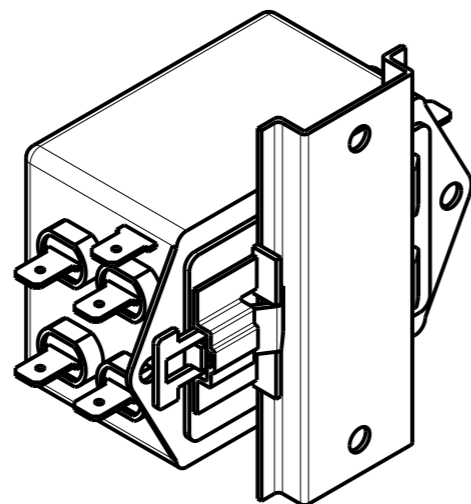
NOTE 3 SUPPLIED WITH DIN RAIL BRACKET.

NOTE 4 DRAWING SHOWS DIN RAIL FOR
REFERENCE ONLY.

REVISIONS					
P	LTR	DESCRIPTION	DATE	DWN	APVD
		SEE SHEET 1			



FRONT SIDE



REAR SIDE

THIS DRAWING IS A CONTROLLED DOCUMENT.		DWN SUPREETH R 14APR2021				
		CHK CHRIS BOLLE 14APR2021				
		APVD CHRIS BOLLE 14APR2021	NAME POWER LINE FILTER FOR DIN RAIL 35 INSTALLATION 10KES1AFPWDM			
DIMENSIONS: mm		PRODUCT SPEC -	SIZE A3	CAGE CODE 00779	DRAWING NO C-3-1609966-3	RESTRICTED TO -
TOLERANCES UNLESS OTHERWISE SPECIFIED: 0 PLC ±0.5 1 PLC ±0.40 2 PLC ±0.130 3 PLC ±0.0500 4 PLC ANGLES ±		APPLICATION SPEC -	SCALE 3:4		SHEET 2 OF 2	REV A
MATERIAL -		WEIGHT -	CUSTOMER DRAWING			