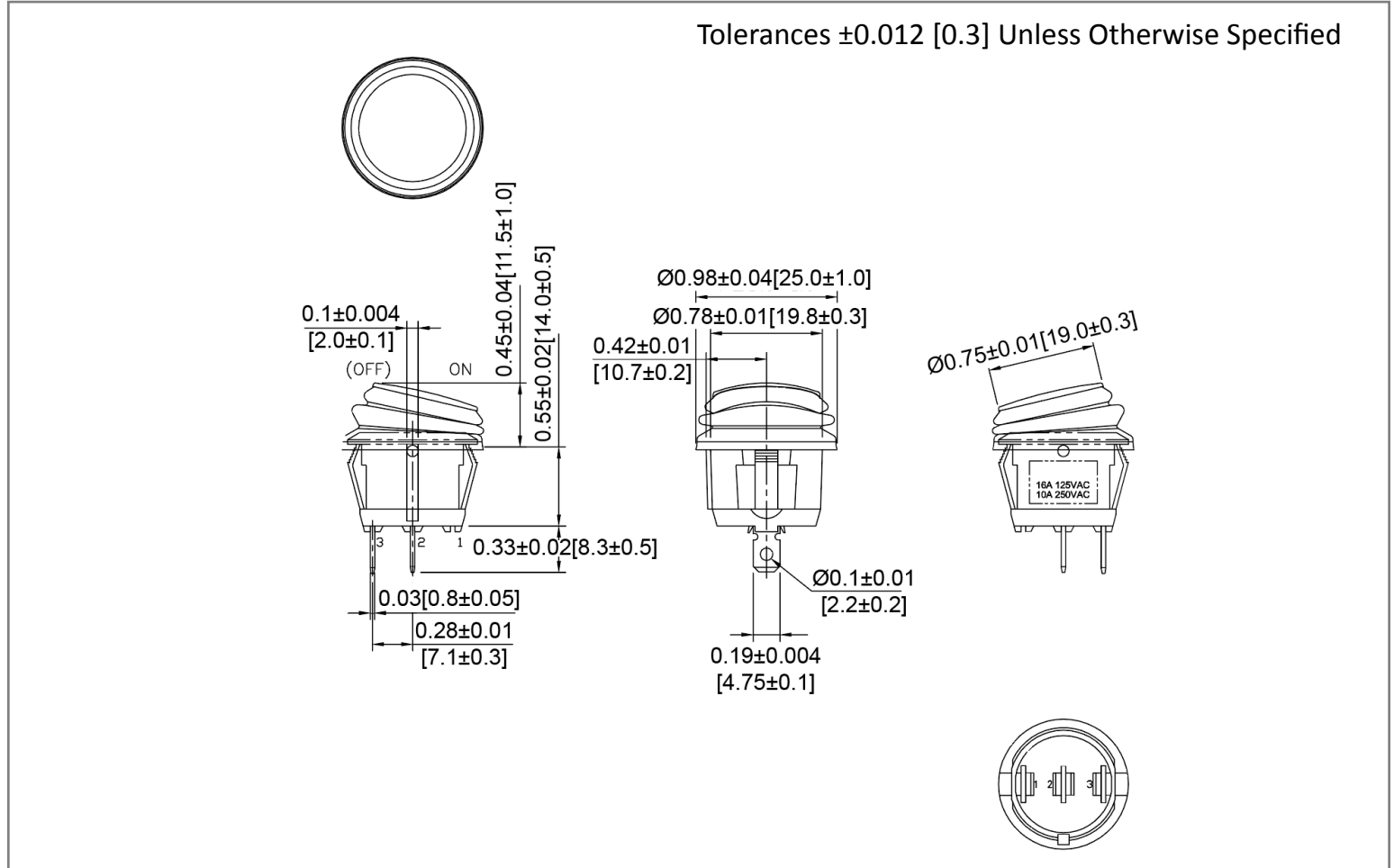
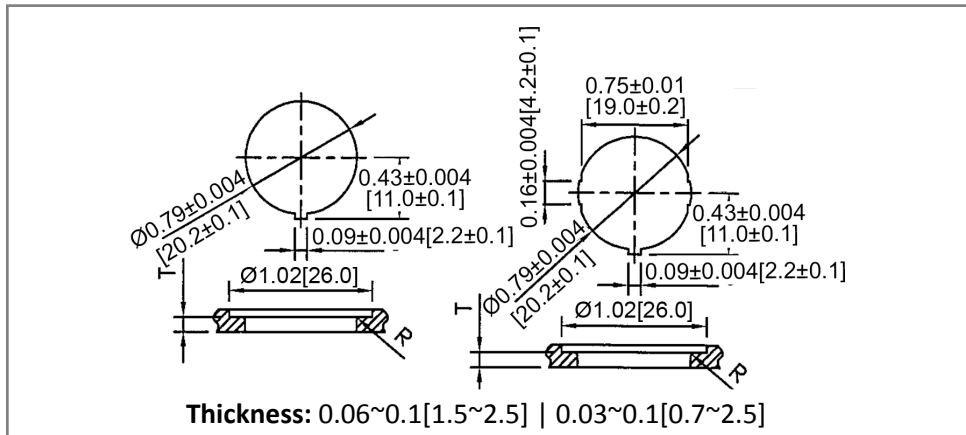


## Mechanical Dimensions: Inches [mm]

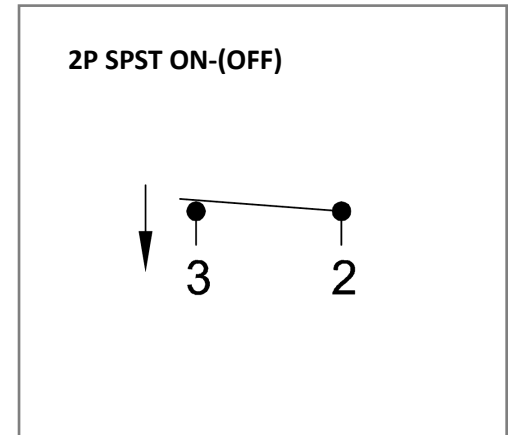
Tolerances  $\pm 0.012$  [0.3] Unless Otherwise Specified



## Mounting Hole



## Circuit Diagram



## Electrical Specifications

Rating	20A 14V DC, 10A 28V DC	
Contact Resistance	50m ohm Max	
Insulation Resistance	DC 500V 100M ohm Min	
Dielectric Strength	AC 1500V 1 minute	
Operation Temperature	-25°C ~ 85°C	

## Material Specifications

Frame	Black, Nylon 66(94-V2)
Actuator	Black, PC (94-V2)
Waterproof Rubber	Black, Silicone
Terminals	Silver Plated, Copper Alloy
Waterproof	IP65

Rev	Date of issue	Revision Notes	Designed	Approved
B	08-09-2021	Initial Drawing	RC	OF