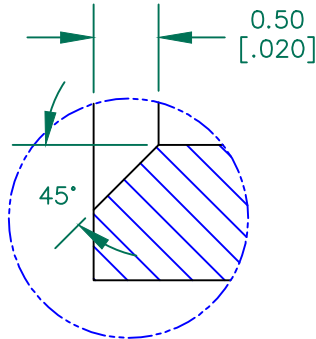


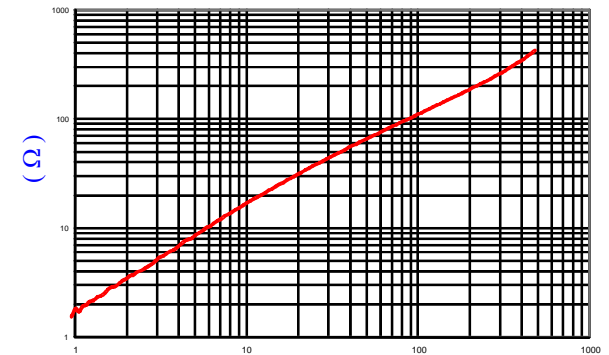
SECTION A-A



DETAIL "A"
CHAMFER
SCALE=6:1
TYPICAL

IMPEDANCE (Z)			
Frequency	25 MHz	100 MHz	300 MHz
Nominal (REF)	36 Ω	104 Ω	241 Ω
Minimum	- Ω	83 Ω	- Ω

Z vs. FREQUENCY
(REF. ONLY)



FREQUENCY (MHz)
AGILENT E4991A Impedance/Material Analyzer
HP 16092A Test Fixture,

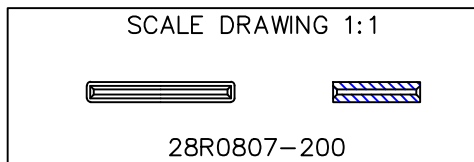
FERRITE CORE DIMENSIONS (SPEC):

A	20.50 [.807]	+ 0.30	-.012
B	18.50 [.728]	+ 0.30	-.012
C	12.00 [.473]	+ 0.25	-.010
D	2.80 [.110]	+ 0.30	-.012
E	0.70 [.028]	+ 0.30	-.012

WEIGHT/1000 2.60 kgs [5.73 Lbs]

NOTES: UNLESS OTHERWISE SPECIFIED

1. COSMETIC SPECIFICATION REFER TO WI-QA-038.



DIMENSIONS ARE IN mm[INCHES].				This print is the property of Laird Tech. and is loaned in confidence subject to return upon request and with the understanding that no copies shall be made without the written consent of Laird Tech. All rights to design or invention are reserved.		Laird	
PROJECT/PART NUMBER:				REV	PART TYPE:	DRAWN BY:	
28R0807-200				B	FERRITE RIBBON CORE	QIU	
B	UPDATE LOGO	08/29/16	QIU	DATE:	08/03/11	SCALE:	3 : 1
A	ORIGINAL DRAFT	08/03/11	QIU	CAD #	28R0807-200-B	TOOL #	R0807
REV	DESCRIPTION	DATE	INT			MATERIAL: FERRITE	