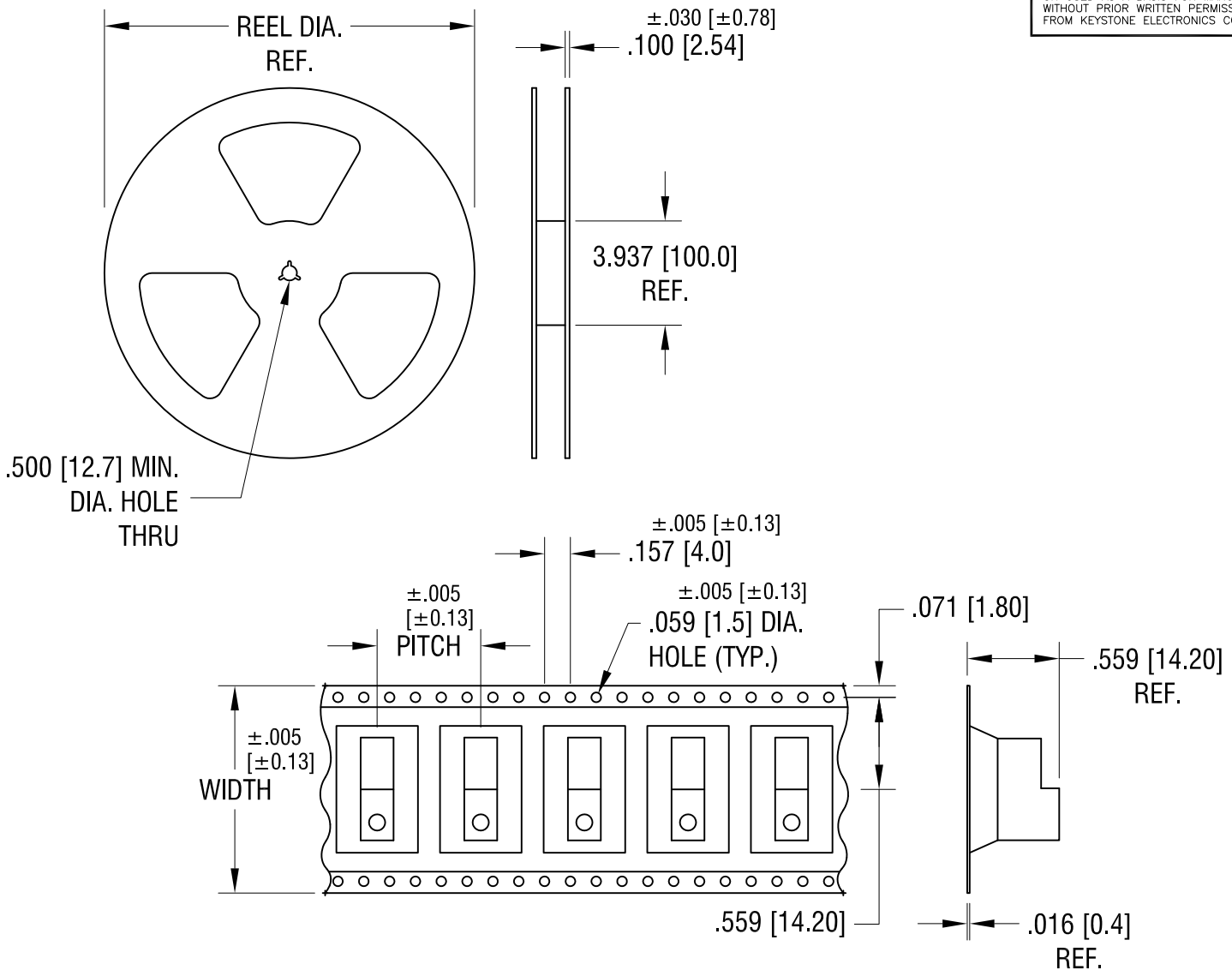


THIS DOCUMENT IS THE PROPERTY OF KEYSTONE ELECTRONICS CORP. AND SHALL NOT BE REPRODUCED, DISTRIBUTED OR USED AS A BASIS FOR MANUFACTURE WITHOUT PRIOR WRITTEN PERMISSION FROM KEYSTONE ELECTRONICS CORP.



NOTES:

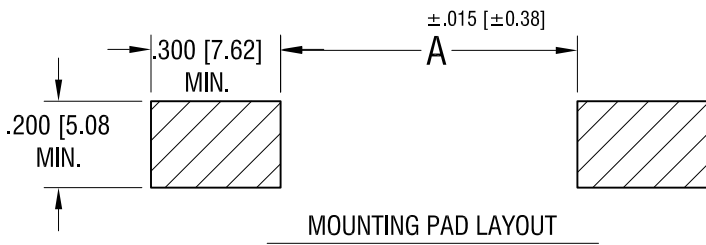
TAPE AND REEL SPECIFICATIONS:

1. TAPE:  
 MAT'L - ALL CONDUCTIVE POLYSTYRENE CARRIER  
 ANSI/EIA-481 STANDARD  
 1.260 [32.0] WIDE; .630 [16.0] PITCH
2. REEL:  
 13.0 [330.2] DIA. 250 PIECES OF  
 PART NO. 5231 PER REEL.

<b>KEYSTONE ELECTRONICS CORP.</b>			
www.keyelco.com • ASTORIA, N.Y. 11105-2017 • Tel (718) 956-8900			
PART NAME			
SM BATTERY CONTACT, ON TAPE			
MATERIAL			
AS NOTED			
FINISH		DRN BY	DATE
AS NOTED		BOONE	6.16.00
		APP'D	SCALE
		LN	X
TOLERANCES	INCH [MM]	CODE	DWG NO.
DECIMAL	± .015 [± 0.38]	C	<b>5231TR</b>
ANGULAR	± 1°		
UNLESS OTHERWISE SPECIFIED			

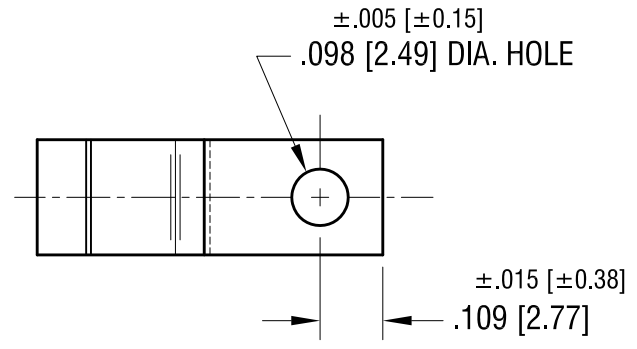
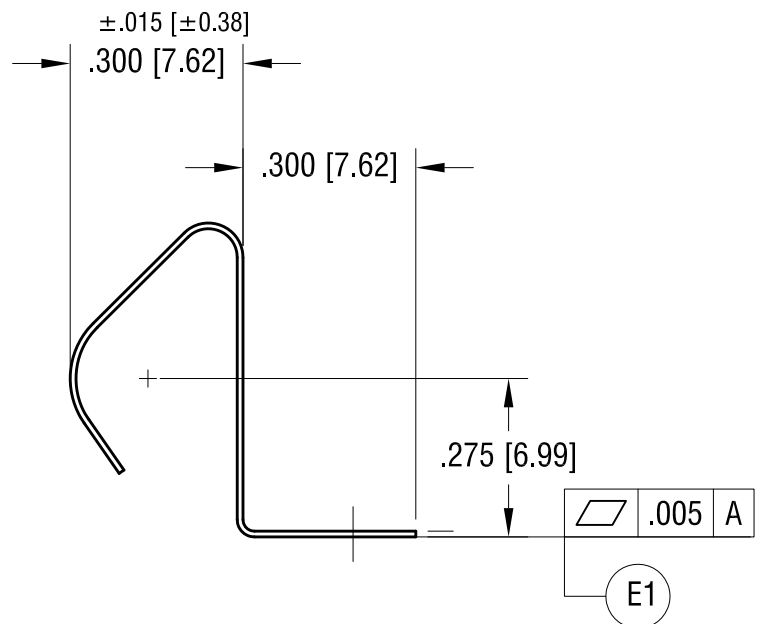
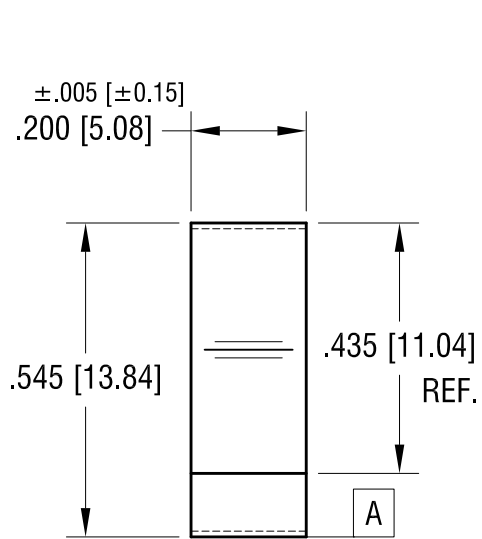
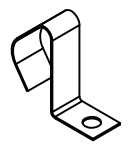
10.7.05	CHANGE AS PER ECN 05-073	B
DATE	DESCRIPTION	REV.

THIS DOCUMENT IS THE PROPERTY OF KEYSTONE ELECTRONICS CORP. AND SHALL NOT BE REPRODUCED, DISTRIBUTED OR USED AS A BASIS FOR MANUFACTURE WITHOUT PRIOR WRITTEN PERMISSION FROM KEYSTONE ELECTRONICS CORP.



FOR BATTERY SIZE:	'A' DIM.
2/3A	1.71 [43.4]
AA	2.380 [60.45]

ACTUAL SIZE



NOTE:  
1. HEAT TREAT TO SPRING TEMPER.

DATE	DESCRIPTION	REV.
7.06.20	ADD FLATNESS (E1) CHANGE AS PER ECN 20-062	E
8.17.04	CHANGE AS PER ECN 04-058	D

<b>KEYSTONE ELECTRONICS CORP.</b>			
www.keyelco.com • NEW HYDE PARK, NY 11040 • Tel (516) 328-7500			
PART NAME <b>BATTERY CONTACT, SURFACE MOUNT</b>			
MATERIAL <b>.010 [0.25] TH'K ANNEALED SPRING STEEL</b>			
FINISH <b>TIN NICKEL PLATE</b>		DRN BY <b>BOONE</b>	DATE <b>3.16.98</b>
		APP'D <b>LN</b>	SCALE <b>3X</b>
TOLERANCES INCH [MM]	DECIMAL <b>±.010 [±0.25]</b>	ANGULAR <b>± 1°</b>	UNLESS OTHERWISE SPECIFIED
DWG NO. <b>5231</b>		CODE <b>C</b>	