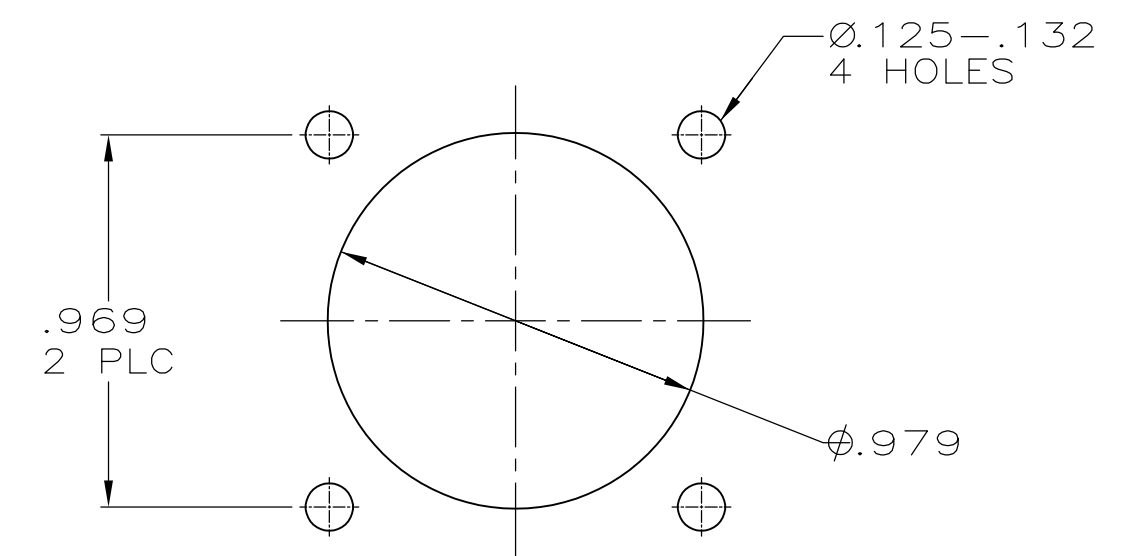
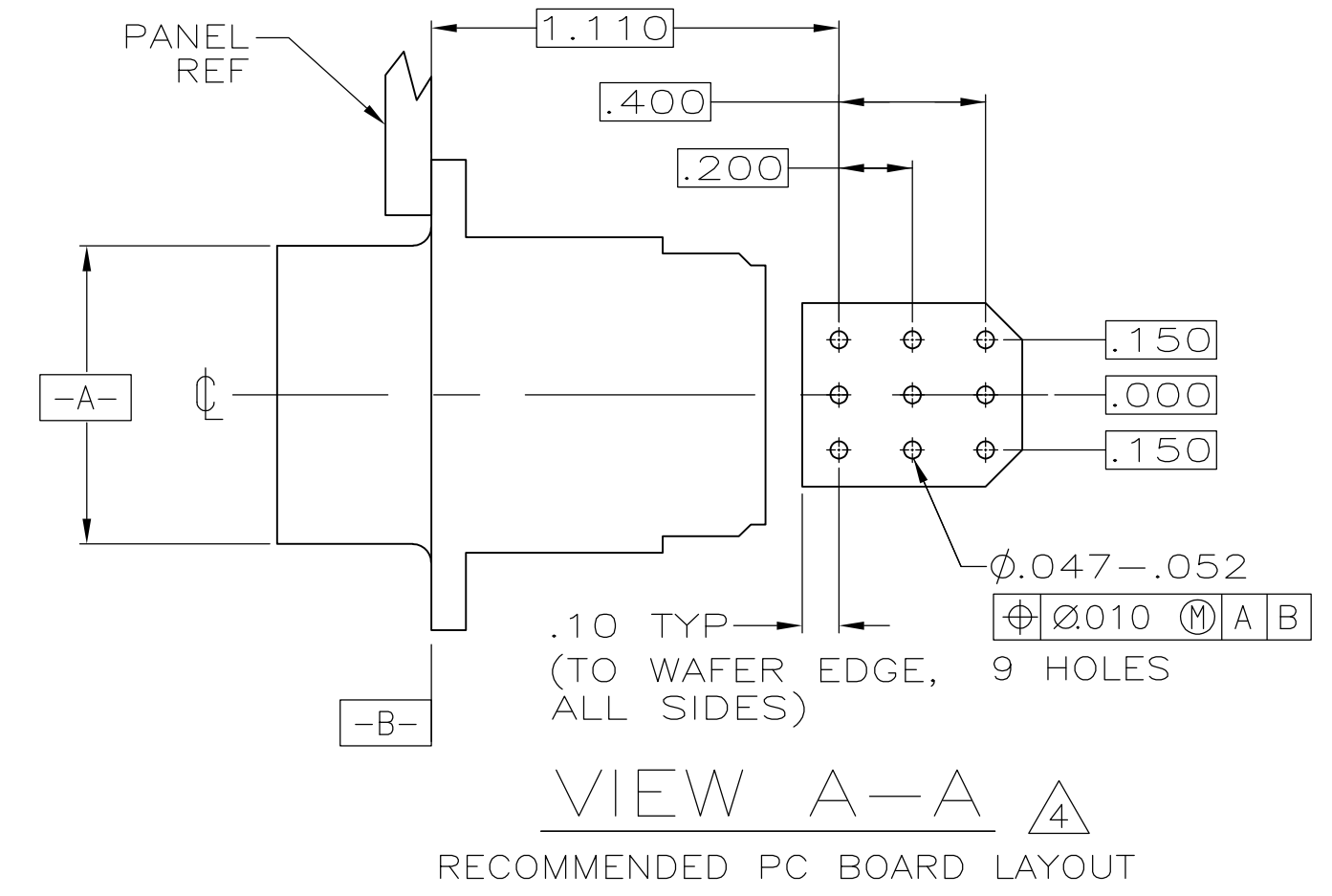
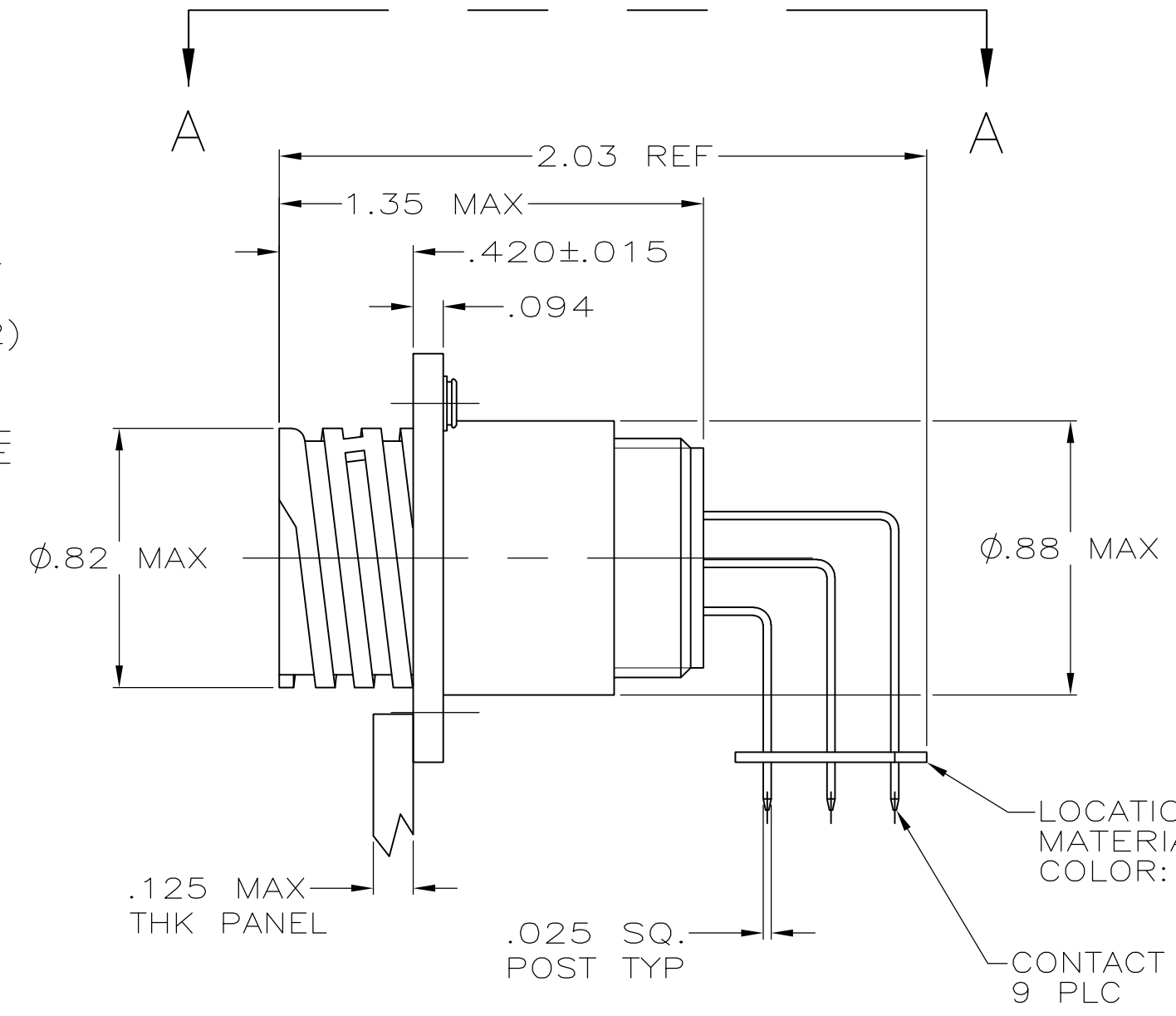
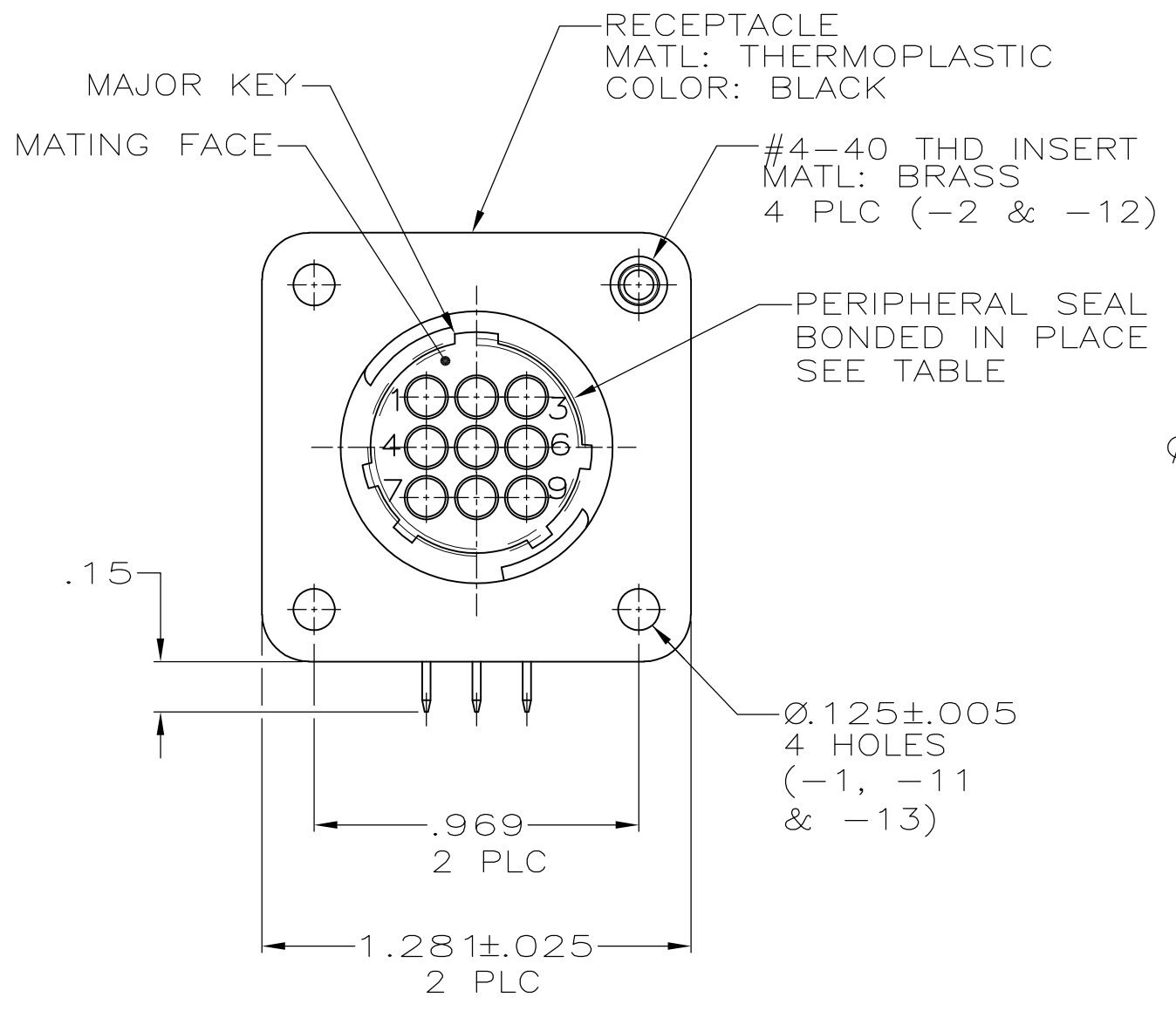


THIS DRAWING IS UNPUBLISHED. RELEASED FOR PUBLICATION
 © COPYRIGHT - By - ALL RIGHTS RESERVED.

REVISIONS				
P	LTR	DESCRIPTION	DATE	APVD
F1		REVISED PER ECO-16-004800	10SEP2016	NK MZ



- 1 CONTACT CAVITIES IDENTIFIED BY CHARACTERS ON FRONT AND REAR FACES OF CONNECTOR.
- 2 #4 FASTENER RECOMMENDED FOR -1 MOUNTING.
#4 FASTENER REQUIRED FOR -2 MOUNTING.
- 3 CONTACT BODY: .000030 MIN GOLD FOR A LENGTH OF .250 MIN FROM MATING END, WITH REMAINDER TO BE GOLD FLASH, BOTH OVER .000050 MIN NICKEL.
CONTACT POST: .000100 MIN TIN-LEAD OVER .000100 MIN COPPER.
- 4 PC BOARD HOLE PATTERN IS DEFINED RELATIVE TO CONNECTOR C.L. AND PANEL MOUNTING FACE INDICATED.
- 5 CONTACT BODY: .000030 MIN GOLD FOR A LENGTH OF .250 MIN FROM MATING END, WITH REMAINDER TO BE GOLD FLASH, BOTH OVER .000050 MIN NICKEL.
CONTACT POST: .000100 MIN TIN OVER .000100 MIN COPPER.

OBSOLETE	5	YES	W/O INSERTS	1-796375-3
	5	NO	W/INSERTS	1-796375-2
	5	NO	W/O INSERTS	1-796375-1
OBSOLETE	3	YES	W/O INSERTS	796375-3
	3	NO	W/INSERTS	796375-2
	3	NO	W/O INSERTS	796375-1
CONTACT FINISH	SEAL	CONFIG.	PART NUMBER	

THIS DRAWING IS A CONTROLLED DOCUMENT.		DWN HAMNER 2-19-00	TE TE Connectivity	
DIMENSIONS: INCHES		CHK M.CHACKO 2-23-00		
TOLERANCES UNLESS OTHERWISE SPECIFIED:		APVD M.CHACKO 2-23-00	NAME RECEPTACLE ASSY, POSTED, RT ANGLE, STD SEX, SIZE 13-9, SERIES 1, CPC	
0 PLC ± -		PRODUCT SPEC	SIZE A2 CAGE CODE 00779 C=796375	
1 PLC ± -		APPLICATION SPEC	RESTRICTED TO	
2 PLC ± .03		WEIGHT	SCALE 2:1 SHEET 1 OF 1 REV F1	
3 PLC ± .010		CUSTOMER DRAWING		
4 PLC ± -				
ANGLES ± -				
FINISH				