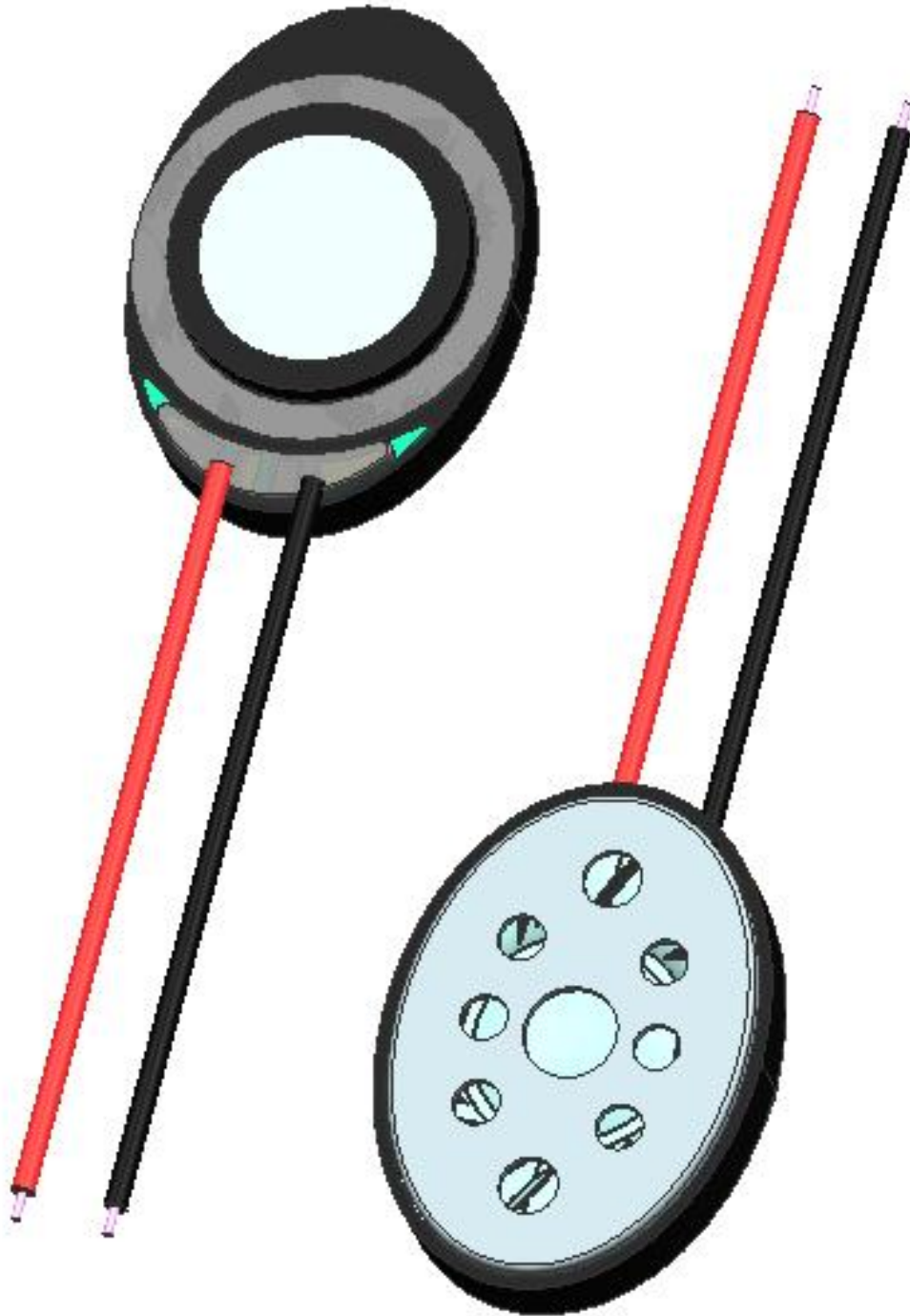


SPECIFICATION

BMS1813-11C-08H3.8RW025 LF





APPROVAL SHEET FOR SMARTPHONE SPEAKER

TOTAL PAGE 13

www.bestargroups.com

RoHS

Preliminary Specification For The Acoustic Characteristics of Dynamic Speaker

Customer		Model Name	BMS1813-11C-08H3.8RW025 LF
Customer P/N		Product No.	137032
Date	10 Feb. 14	Issue No.	BS/TES01.1469A
Page	01 of 13	Issue Date	14/11/01

Table of Contents:

- 1.Test Climatic Condition
- 2.Description
- 3.Characteristics
- 4.Test Setup
- 5.Drawing
- 6.Reliability Test
- 7.Packing
- 8.History Change Record

Drawn by	Checked by	Approved by	Customer approved

BESTAR HOLDING CO.,LTD

No.199 HuangHe West Road.New district,ChangZhou,JiangSu Province,P.R.China

Tel: +86 519 88222567

Fax: +86 519 88222551

E-mail:wu@be-star.com

<http://www.bestargroups.com>

BMS1813-11C-08H3.8RW025 LF

1. Test Climatic Condition

- 1.1 Ambient Temperature :15°C~35°C, Preferably at 20°C
- 1.2 Relative Humidity:25% to 75%
- 1.3 Air Pressure:86kPa~106kPa

No.	Item	Specification
1.	Dimension	18X13X4.0(mm)
2.	AC Impedance	8 ±15%Ω(at 2kHz)
3.	Rated Input Power	0.7W
4.	Maximum Input Power	1.0W
5.	Frequency Frequency	1100±20%Hz
6.	Frequency Response	FO~20KHZ
7.	Output SPL	84±3dB (0.1W /0.1m) at 2.0KHz
8.	Distortion	≤10% (at 1kHz)
9.	Buzzes & Rattles	must be normal at 2.36Vrms (sine wave)
10.	Operating Temperature	-20~+70°C
11.	Storage Temperature	-20~+85°C
12.	Weight	~1.5g

2. Description

- 2.1 Acoustic component Performance Specification
- 2.2 The present document specifies performance requirements for the acoustic characteristics of speaker

3. Characteristics

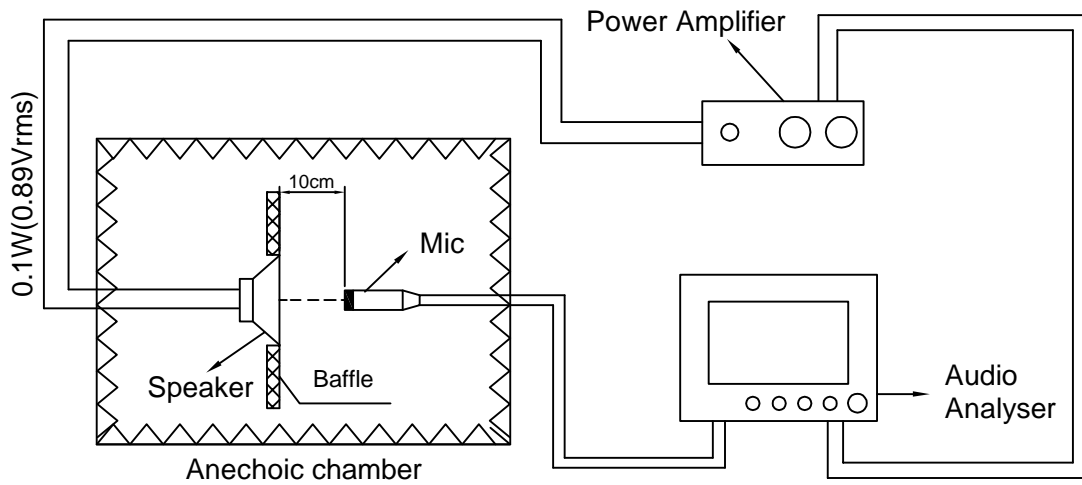
- 3.1 Electrical and Mechanical Characteristics

				Date:	14/11/01	BMS1813-11C-08H3.8RW025 LF	
				Drawn by:	任江凤		
A	14/11/01	任江凤		Checked by:	王凯	Speaker	
Rev.	Date	Drawn	Note	Approved by:	汪珍珍		
BESTAR HOLDING CO.,LTD				www.bestargroups.com wu@be-star.com		DRG NO:BS/TES01.1469A	Page:03 of 13

BMS1813-11C-08H3.8RW025 LF

4. Test Setup

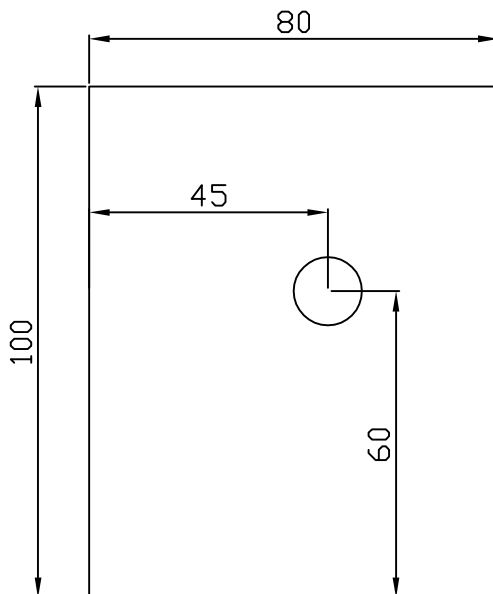
4.1 Speaker Measurement Circuit



4.2 Baffle Drawing

unit:cm

tolerance:±2



4.3 Test Method

The speaker shall be mounted in a baffle of the dimensions 80X100cm show figure 4.2,

The measuring free-field microphone shall be placed 10cm from DUT, on axis.

The test voltage is 0.1W and swept sine-wave range is 100Hz~20KHz with a R80 of test sequence

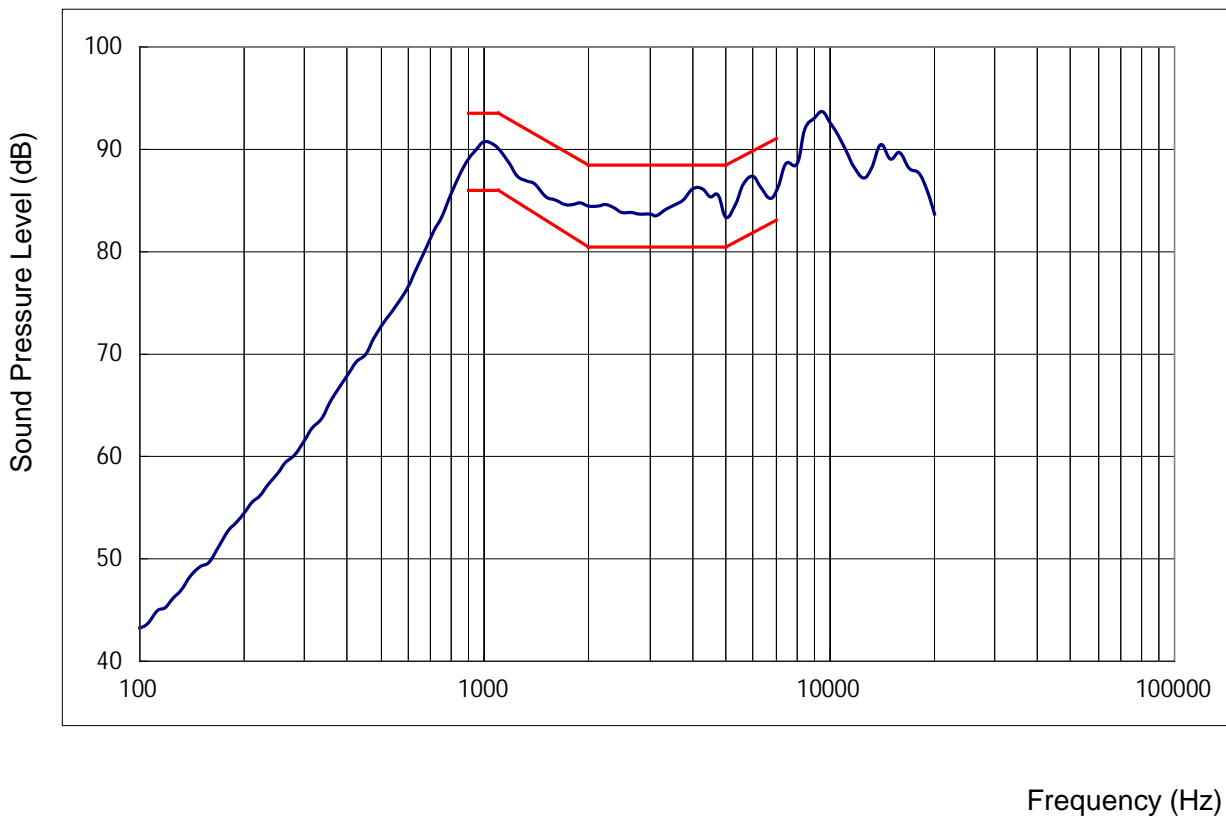
This print is not for sale and shall not be used in whole or in part without its written content.

				Date:	14/11/01	BMS1813-11C-08H3.8RW025 LF
				Drawn by:	任江凤	
A	14/11/01	任江凤		Checked by:	王凯	Speaker
Rev.	Date	Drawn	Note	Approved by:	汪珍珍	
BESTAR HOLDING CO.,LTD						DRG NO:BS/TES01.1469A
www.bestargroups.com wu@be-star.com						Page:04 of 13

BMS1813-11C-08H3.8RW025 LF

4.4 Frequency Response Curve (only for reference)

A: Frequency Response Magn 0 dB re 20.00 μ Pa/V 1/12Oct



4.4.1 Sensitivity

SPL is expressed in dB rel 20 μ Pa, computed according to IEC 268-5. Measurement set up according chapter 4.1 and parameters according chapter 4.4.

This test is performed on the production line by 100%.

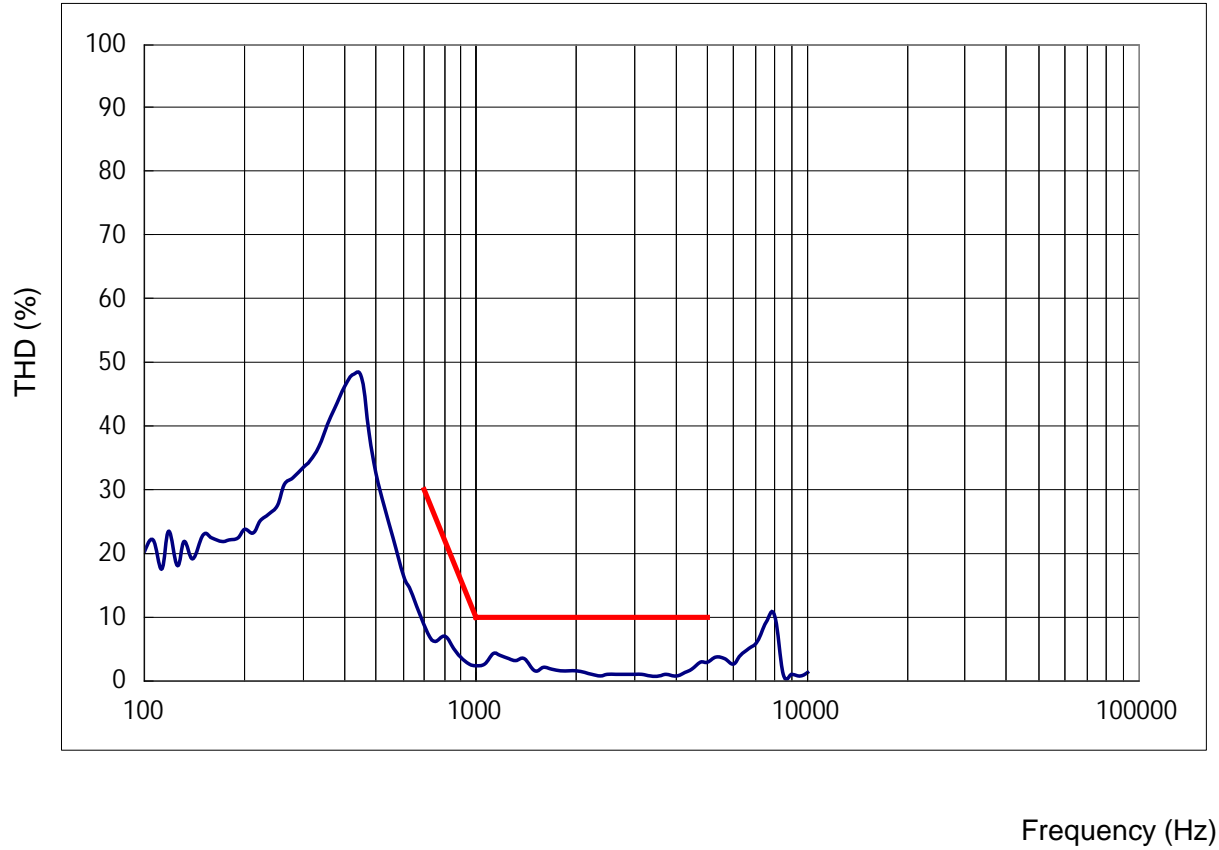
This print and information there in are proprietary to Bestar Holding Co., Ltd. and shall not be used in whole or in part without its written content.

				Date:	14/11/01	BMS1813-11C-08H3.8RW025 LF	
				Drawn by:	任江凤		
A	14/11/01	任江凤		Checked by:	王凯	Speaker	
Rev.	Date	Drawn	Note	Approved by:	汪珍珍		
BESTAR HOLDING CO.,LTD						DRG NO:BS/TES01.1469A	Page:05 of 13
www.bestargroups.com wu@be-star.com							

BMS1813-11C-08H3.8RW025 LF

4.5 Total Harmonic Distortion (only for reference)

A: Frequency Response Magn 0 dB re 20.00 μ Pa/V 1/12Oct



4.5.1 THD

THD is measured according test set up in chapter 4.1 and parameters according chapter 4.5

This test is performed on the production line by 100%.

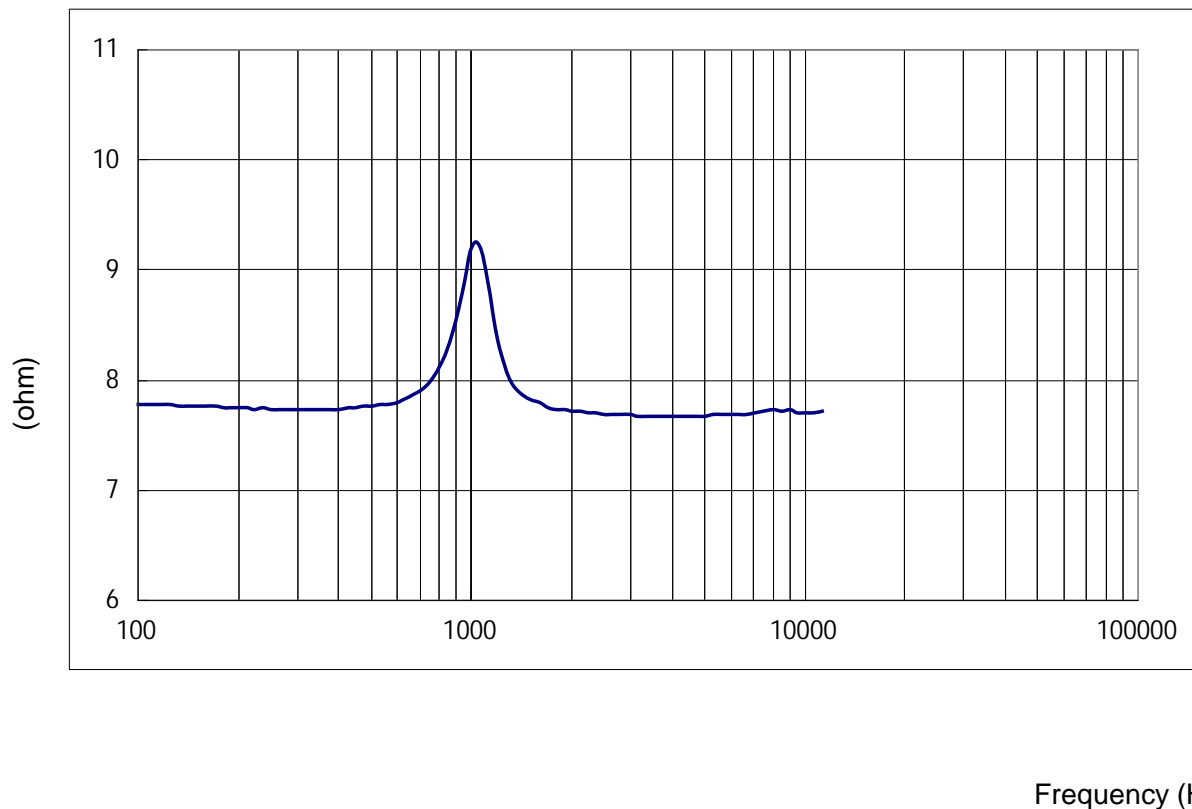
This print and information there in are proprietary to Bestar Holding Co., Ltd. and shall not be used in whole or in part without its written consent.

				Date:	14/11/01	BMS1813-11C-08H3.8RW025 LF	
				Drawn by:	任江凤		
A	14/11/01	任江凤		Checked by:	王凯	Speaker	
Rev.	Date	Drawn	Note	Approved by:	汪珍珍		
BESTAR HOLDING CO.,LTD						DRG NO:BS/TES01.1469A	Page:06 of 13
www.bestargroups.com wu@be-star.com							

BMS1813-11C-08H3.8RW025 LF

4.6 F0 Curve (only for reference)

A: Frequency Response Magn 0 dB re 20.00 μ Pa/V 1/12Oct



4.6.1 Resonance Frequency

Resonance frequency is measured according test set up in chapter 4.1 and parameters according chapter 4.6

This test is performed on the production line by 100%.

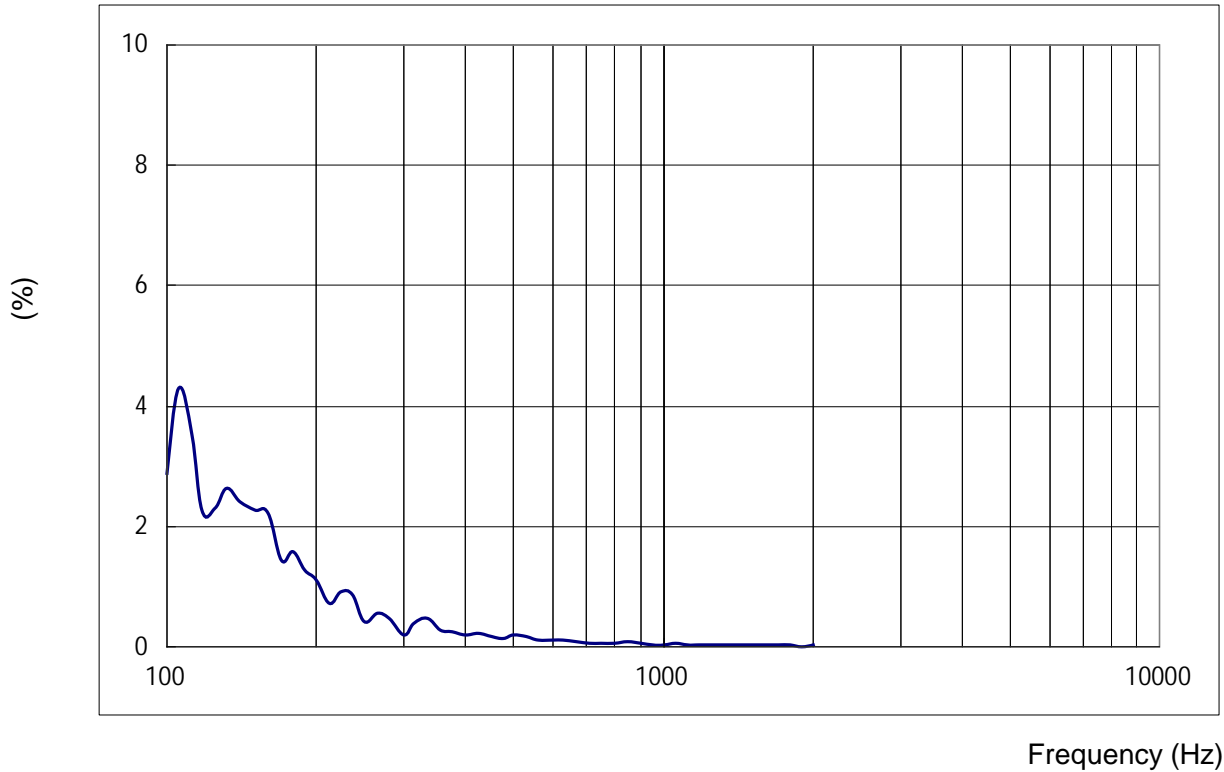
This print and information there in are proprietary to Bestar Holding Co., Ltd. and shall not be used in whole or in part without its written content

				Date:	14/11/01	BMS1813-11C-08H3.8RW025 LF	
				Drawn by:	任江凤		
A	14/11/01	任江凤		Checked by:	王凯	Speaker	
Rev.	Date	Drawn	Note	Approved by:	汪珍珍		
BESTAR HOLDING CO.,LTD						DRG NO:BS/TES01.1469A	Page:07 of 13
www.bestargroups.com wu@be-star.com							

BMS1813-11C-08H3.8RW025 LF

4.7 R&B Curve (only for reference)

A: Frequency Response Magn 0 dB re 20.00 μ Pa/V 1/12Oct



4.7.1 R&B

R&B is measured according test set up in chapter 4.1 and parameters according chapter 4.7

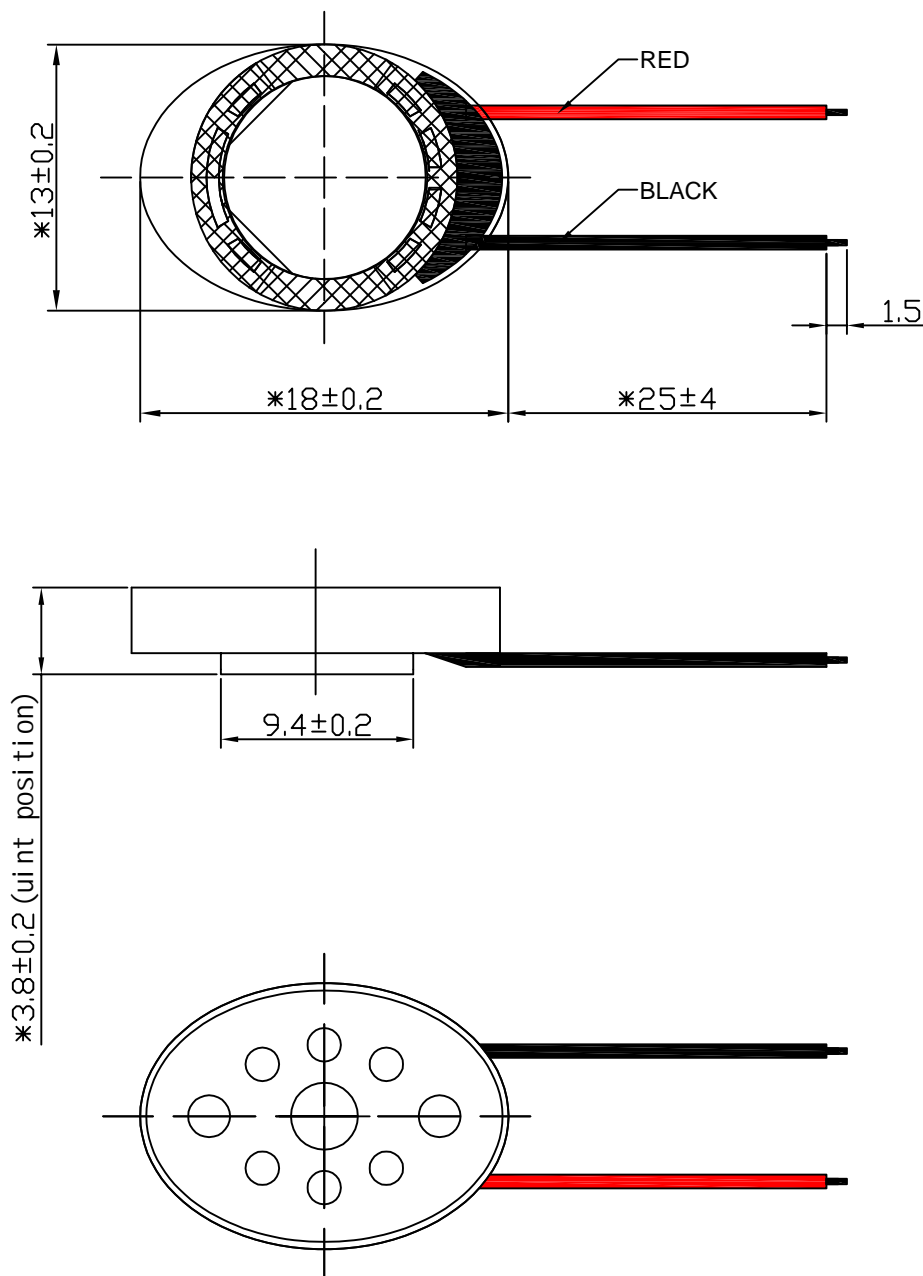
This test is performed on the production line by 100%.

This print and information there in are proprietary to Bestar Holding Co., Ltd. and shall not be used in whole or in part without its written content

				Date:	14/11/01	BMS1813-11C-08H3.8RW025 LF	
				Drawn by:	任江凤		
A	14/11/01	任江凤		Checked by:	王凯	Speaker	
Rev.	Date	Drawn	Note	Approved by:	汪珍珍		
BESTAR HOLDING CO.,LTD						DRG NO:BS/TES01.1469A	Page:08 of 13
www.bestargroups.com wu@be-star.com							

BMS1813-11C-08H3.8RW025 LF

5. Drawing

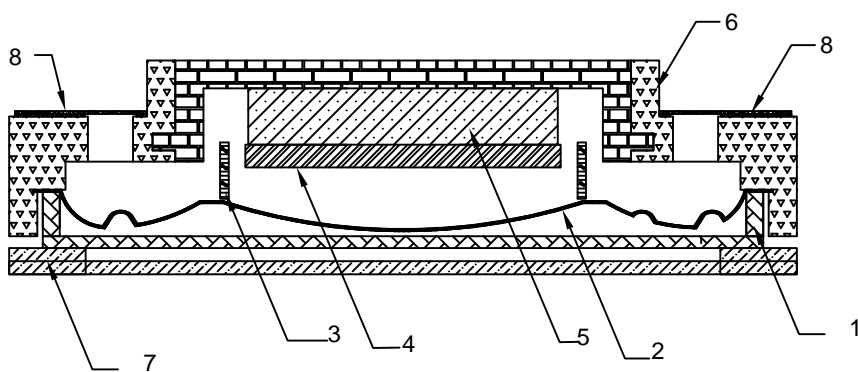


unit:mm
tolerance:±0.2

This print and information there in are proprietary to Bestar Holding Co., Ltd. and shall not be used in whole or in part without its written content.

				Date:	14/11/01	BMS1813-11C-08H3.8RW025 LF	
				Drawn by:	任江凤		
A	14/11/01	任江凤		Checked by:	王凯	Speaker	
Rev.	Date	Drawn	Note	Approved by:	汪珍珍		
BESTAR HOLDING CO.,LTD						DRG NO:BS/TES01.1469A	Page:09 of 13
www.bestargroups.com wu@be-star.com							

BMS1813-11C-08H3.8RW025 LF



No	Description of the part	Material
1	Front Cover	SUS
2	Diaphragm	PEN
3	Coil	SDHT
4	Plate	SPCC
5	Magnet	Nd-Fe-B
6	Frame	PBT+SPCC
7	Net	Nonwoven
8	Net	Nonwoven

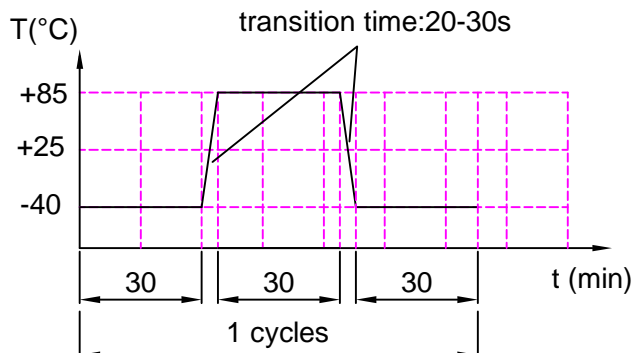
This print and information there in are proprietary to Bestar Holding Co., Ltd. and shall not be used in whole or in part without its written content.

				Date:	14/11/01	BMS1813-11C-08H3.8RW025 LF	
				Drawn by:	任江凤		
A	14/11/01			Checked by:	王凯	Speaker	
Rev.	Date	Drawn	Note	Approved by:	汪珍珍		
BESTAR HOLDING CO.,LTD						DRG NO:BS/TES01.1469A	Page:10 of 13
www.bestargroups.com wu@be-star.com							

BMS1813-11C-08H3.8RW025 LF

6. Reliability Test

6.1 Load Test	
Power	0.7W (pink noise)
Duration	96hrs
6.2 High Temperature Test	
Temperature	+85±3°C
Duration	48hrs
6.3 Low Temperature Test	
Temperature	-20±3°C
Duration	96hrs
6.4 Damp Heat	
Temperature	40±3°C
Relative Humidity	90%-95%RH
Duration	96hrs
6.5 Temperature Cycle Test	
Cycle	4



6.6 Drop Test	
Height	100cm (in state of packing)
Times	10 (Drop onto hardwood board)

Notice:

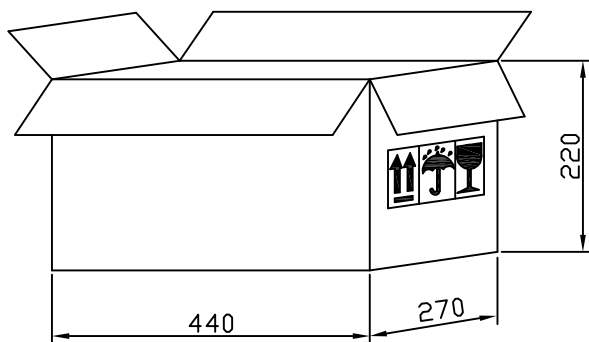
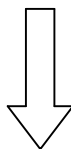
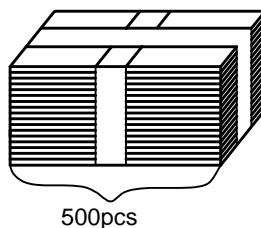
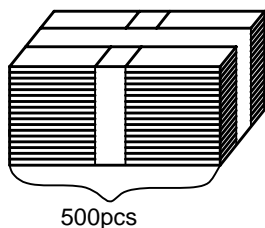
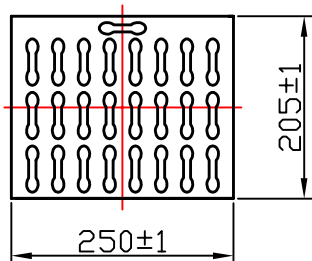
- 1.Immediately after reliability test,the samples shall be stored under climatic conditions such as normally exist in ordinary rooms or laboratories.Unless otherwise noted,the recovery period shall be 4hrs at least before performance testing.
2. After reliability test ,all samples must be meet the requirements specified
- 3.Sensitivity difference at 2~5KHz shall be within ±3dB from initial value after test.

				Date:	14/11/01	BMS1813-11C-08H3.8RW025 LF	
				Drawn by:	任江凤		
A	14/11/01	任江凤		Checked by:	王 凯	Speaker	
Rev.	Date	Drawn	Note	Approved by:	汪珍珍		
BESTAR HOLDING CO.,LTD						DRG NO:BS/TES01.1469A	Page:11 of 13
www.bestargroups.com wu@be-star.com							

This print and information there in are proprietary to Bestar Holding Co., Ltd. and shall not be used in whole or in part without its written consent.

BMS1813-11C-08H3.8RW025 LF

7. Packing



Remark:
 50 pcs per tray
 20 trays for unit, 2 units per carton
 Total 2000pcs per carton
 Size: 44×27×22(cm)

This print and information there in are proprietary to Bestar Holding Co., Ltd. and shall not be used in whole or in part without its written content.

				Date:	14/11/01	BMS1813-11C-08H3.8RW025 LF
				Drawn by:	任江凤	
A	14/11/01	任江凤		Checked by:	王凯	Speaker
Rev.	Date	Drawn	Note	Approved by:	汪珍珍	
BESTAR HOLDING CO.,LTD						DRG NO:BS/TES01.1469A
www.bestargroups.com wu@be-star.com						Page:12 of 13

BMS1813-11C-08H3.8RW025 LF

8. History Change Record

version No.	Change Items		Date	Drawn	Approved
	Before	After			
A			14/11/01	任江凤	汪珍珍

This print and information there in are proprietary to Bestar Holding Co., Ltd. and shall not be used in whole or in part without its written consent.

				Date:	14/11/01	BMS1813-11C-08H3.8RW025 LF
A				Drawn by:	任江凤	
				Checked by:	王 凯	Speaker
				Approved by:	汪珍珍	
Rev.	Date	Drawn	Note			