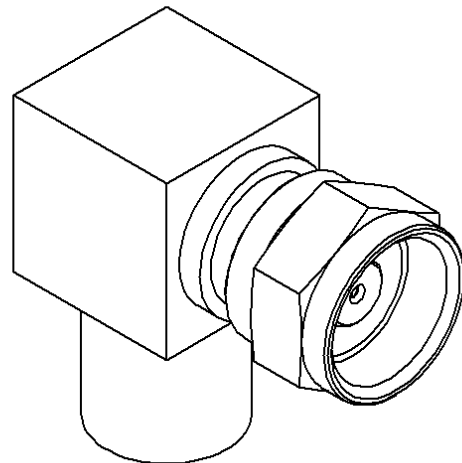
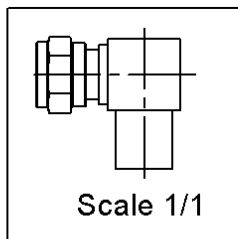
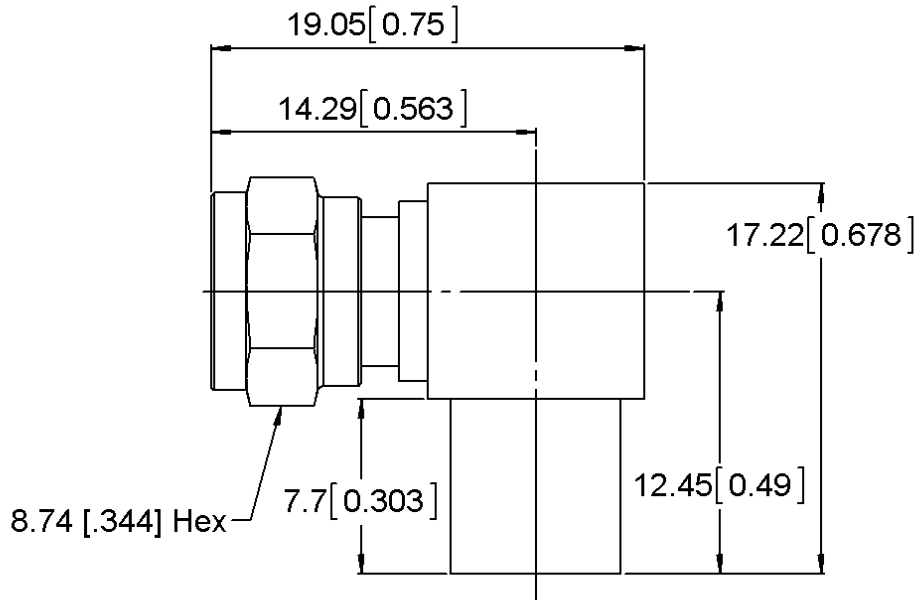
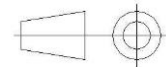


PAGE 1/2	ISSUE 08-06-15A	SERIES 75 OHM	PART NUMBER 1715-1521-007
----------	-----------------	---------------	---------------------------



All dimensions are in mm.



COMPONENTS	MATERIALS	PLATING (μm)
Body	BRASS	GOLD OVER NICKEL
Center contact	BERYLLIUM COPPER	GOLD OVER NICKEL
Outer contact		
Insulator	PTFE	
Gasket		
Others parts	BRASS	GOLD OVER NICKEL
-	-	-
-	-	-

PAGE 2/2	ISSUE 08-06-15A	SERIES 75 OHM	PART NUMBER 1715-1521-007
----------	------------------------	----------------------	----------------------------------

PACKAGING

Standard	Unit	Other
100	Contact us	Contact us

ELECTRICAL CHARACTERISTICS

Impedance	75	Ω
Frequency	0-2	GHz
VSWR	+ 0.0000	x F(GHz) Maxi
Insertion loss	0.60	\sqrt{F} (GHz) dB Maxi
RF leakage	- (60	- F(GHz)) dB Maxi
Voltage rating	165	Veff Maxi
Dielectric withstanding voltage	2000	Veff mini
Insulation resistance	1000	M Ω mini

ENVIRONMENTAL

Operating temperature		$^{\circ}\text{C}$
Hermetic seal	NA	Atm.cm3/s
Panel leakage	NA	

MECHANICAL CHARACTERISTICS

Center contact retention		
Axial force – Mating End		N mini
Axial force – Opposite end		N mini
Torque		N.cm mini
Recommended torque		
Mating		N.cm
Panel nut		N.cm
Mating life	500	Cycles mini
Weight	7.2100	g

SPECIFICATION

OTHER CHARACTERISTICS

Assembly instruction:

Others: