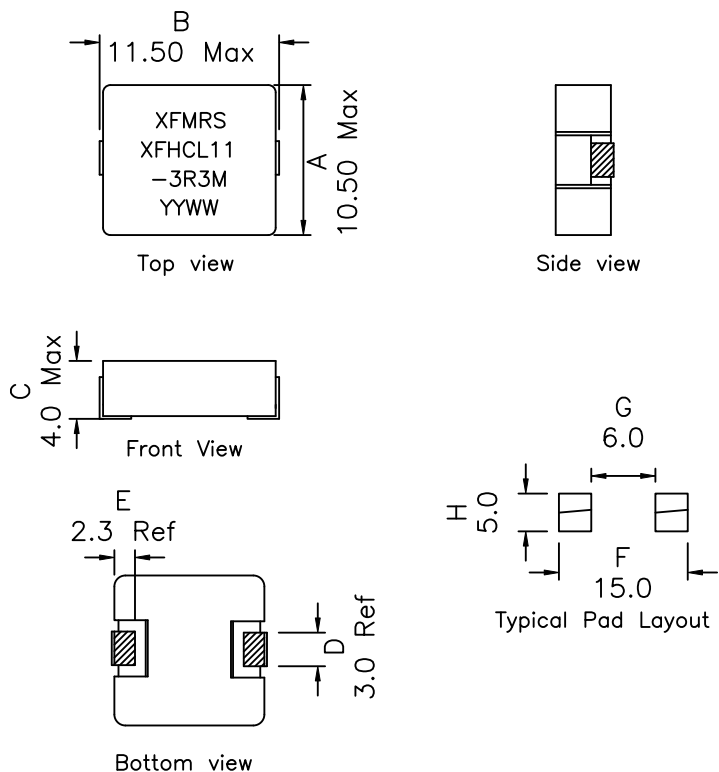
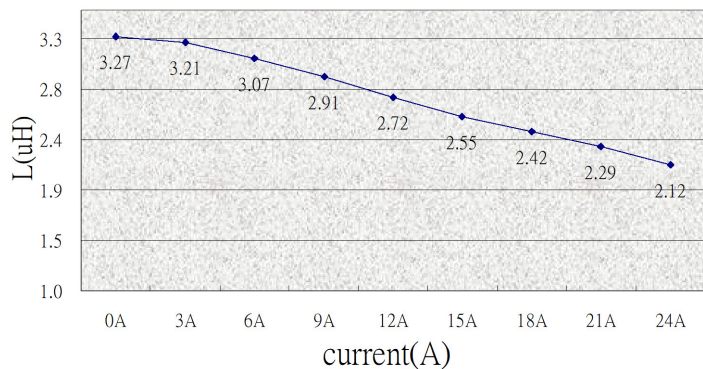


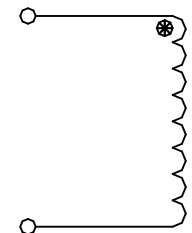
## 1. Mechanical Dimensions:



L vs IDC



## 2. Schematic:



## 3. Electrical Specifications: @25°C

OCL: 3.3uH±20% @100KHz, 0.1V

Q: 23 Min @100KHz, 0.1V

DCR: 11.80 mOhms Max

Isat: 18.6A (Based on 20% drop in OCL)

Irms: 10.0A (Base on 40°C Temp Rise)

### Notes:

- Solderability: Leads shall meet MIL-STD-202G, Method 208H for solderability.
- Flammability: UL94V-0
- ASTM oxygen index: > 28%
- Insulation System: Class F 155°C. UL file E151556
- Operating Temperature Range: All listed parameters are to be within tolerance from -40°C to +85°C
- Storage Temperature Range: -55°C to +125°C
- Aqueous wash compatible
- SMD Lead Coplanarity: ±0.004"(0.102mm)
- Electrical and mechanical specifications 100% tested
- RoHS Compliant Component
- AEC-Q200 Certified Product

**XFMR5 Inc**  
www.XFMR5.com

Title:  
**XFHCL11 SERIES INDUCTORS**

UNLESS OTHERWISE SPECIFIED  
TOLERANCES:

P/N: XFHCL11-3R3M

REV. A

.xxx ±0.010  
Dimensions in Inch

DWN. Xianyì Mar-28-22

CHK. YK Liao Mar-28-22

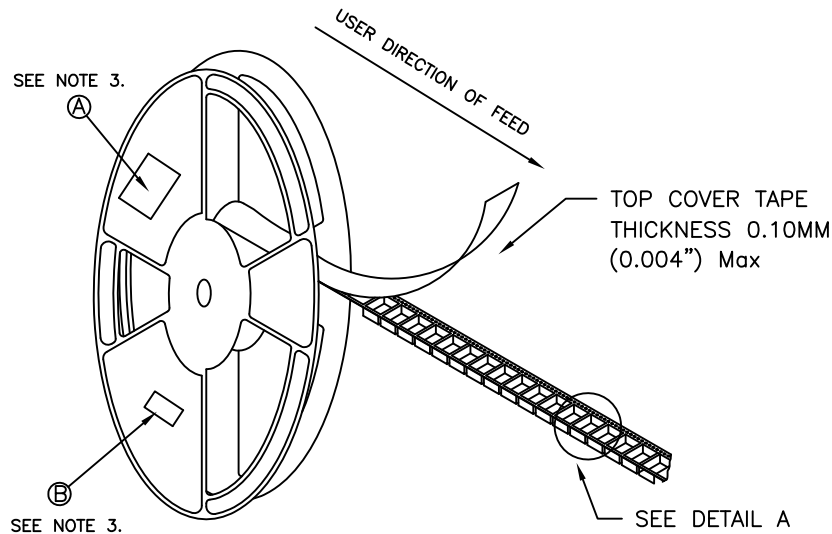
SHEET 1 OF 1

APP. TCH Mar-28-22

DOC. REV: A/4

**PROPRIETARY** Document is the property of XFMR5 Group & is not allowed to be duplicated without authorization.

# TAPE AND REEL SPECIFICATION:



REEL AND TAPE ORIENTATION

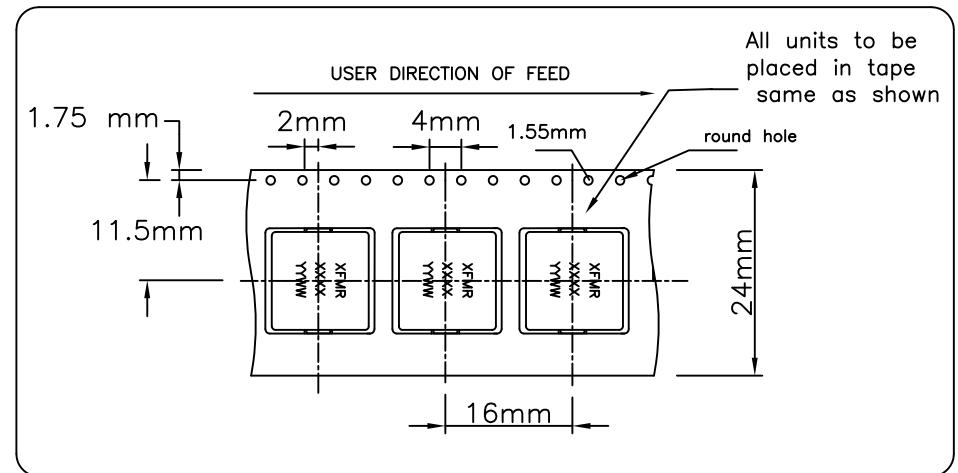
**13" REEL DIAMETER**

FOR ALL XFHCL11-XXXX SERIES

## NOTES:

- 1) PROCESS IN ACCORDANCE WITH EIA-481-2 STANDARDS
  - \* TAPE LEADER DIMENSION 15.30" MIN.
  - \* TAPE TRAILER DIMENSION 6.30" MIN.
- 2) PARTS SHOULD BE PACKAGED IN ACCORDANCE WITH ESD GUIDELINES IN EIA-541.
- 3) REEL LABEL: 'A' \* PART NUMBER
  - \* QUANTITY
  - \* DATE CODE
- 4) 500PCS PER 13" REEL

DETAIL A



DOC. REV. A/2

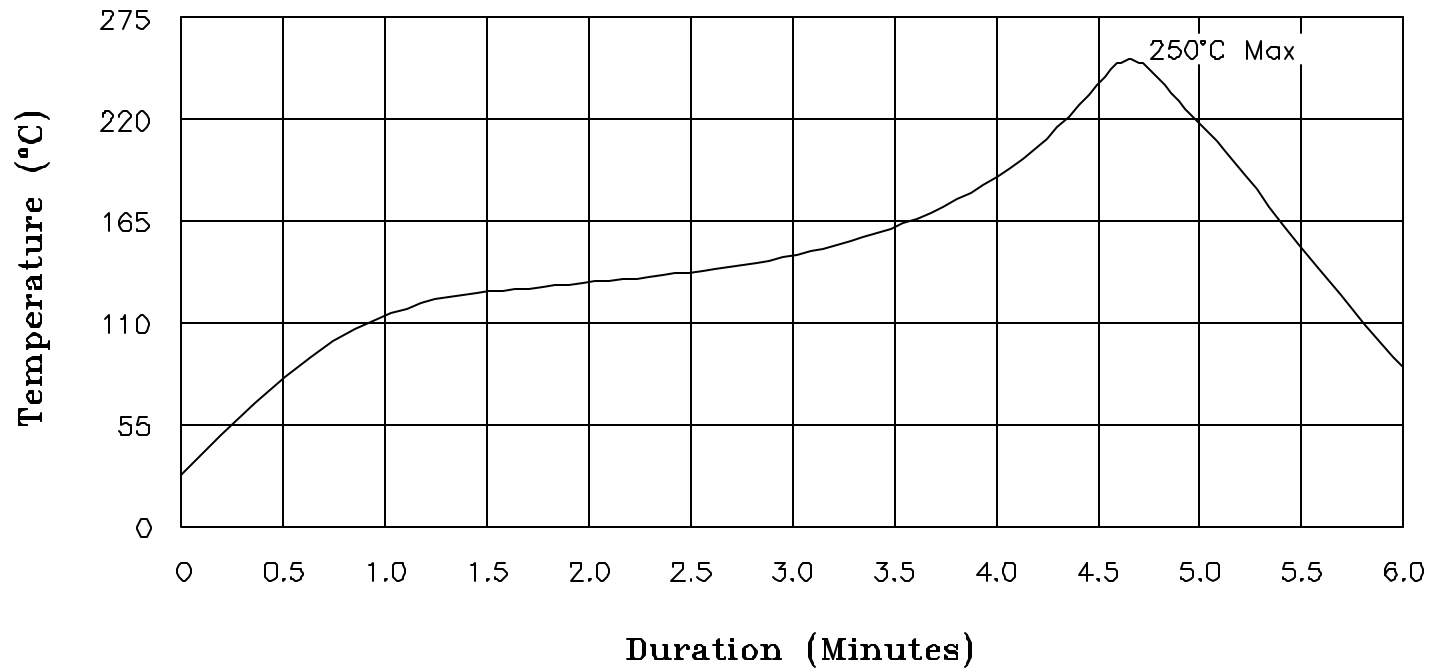
<b>XFMRs Inc</b>	Title: T&R SPEC		
	UNLESS OTHERWISE SPECIFIED	P/N: XFHCL11 series	REV: A
TOLERANCES: .xxs ±xxxxx	DWN.	Kong	Oct-31-17
Dimensions in mm	CHK.	YK Liao	Oct-31-17
SHT 1 OF 1	APP.	GL	Oct-31-17

**PROPRIETARY**

Document is the property of XFMRs Group & is not allowed to be duplicated without authorization.

# XFMRs

## Recommended Infrared Reflow Temperature Profile for Select Parts



NOTES: Maximum duration at 250°+0/-5° shall be 10-15 seconds.  
 Maximum duration above 217° shall be 50-120 seconds.  
 ALL Temperatures refer to topside of the package, measured on the package body surface.

<b>XFMRs Inc</b> www.XFMRs.com	Title: <b>IR REFLOW CHART (250°C)</b>			
	UNLESS OTHERWISE SPECIFIED TOLERANCES: N/A		P/N: N/A	REV. A
	DWN.	Juan Mao	Dec-20-06	
	CHK.	YK Liao	Dec-20-06	
SHEET 1 OF 1	APP.	Joe Huff	Dec-20-06	