

XB5PUSB3

Harmony XB5, Panel mounted USB 3.0 port, plastic, Ø22, for USB interface jack type A



Main

| | |
|---------------------------|------------------------|
| Range of Product | Harmony XB5 |
| Product or Component Type | Panel mounted USB port |
| Device short name | XB5P |

Complementary

| | |
|---------------------------------------|--|
| Sale per indivisible quantity | 1 |
| Mounting diameter | 0.87 in (22 mm) |
| Thickness | 0.24 in (6 mm) without protection cover 0.06...0.20 in (1.5...5 mm) with protection cover plastic 0.06...0.20 in (1.5...5 mm) with protection cover rigid plastic 0.06...0.10 in (1.5...2.5 mm) with protection cover metal |
| Bezel material | Plastic |
| Fixing collar material | Plastic |
| Integrated connection type | USB 3.0 type A |
| Minimum number of matings | 1500 cycles |
| IP degree of protection | Front IP20 IEC 60529 Back IP20 IEC 60529 |
| Ambient Air Temperature for Operation | -40...158 °F (-40...70 °C) |
| Ambient Air Temperature for Storage | -40...158 °F (-40...70 °C) |
| Tightening torque | 13.28 lbf.in (1.5 N.m) |
| Vibration resistance | 5.35 gn15 min per axis |
| Shock resistance | 30 gn 11 ms 3 chocks in each direction X, Y and Z |
| Standards | USB 3.0 |
| Product Certifications | CSA UL Listed |
| Height | 1.10 in (28 mm) |
| Width | 1.10 in (28 mm) |
| Depth | 1.73 in (44 mm) |
| Net Weight | 0.04 lb(US) (0.0169 kg) |

Ordering and shipping details

| | |
|-----------------------|------------------|
| Category | 00028-DATA PORTS |
| Discount Schedule | CS2 |
| GTIN | 3606481194206 |
| Nbr. of units in pkg. | 1 |
| Package weight(Lbs) | 0.56 oz (16.0 g) |
| Returnability | Yes |
| Country of origin | DE |

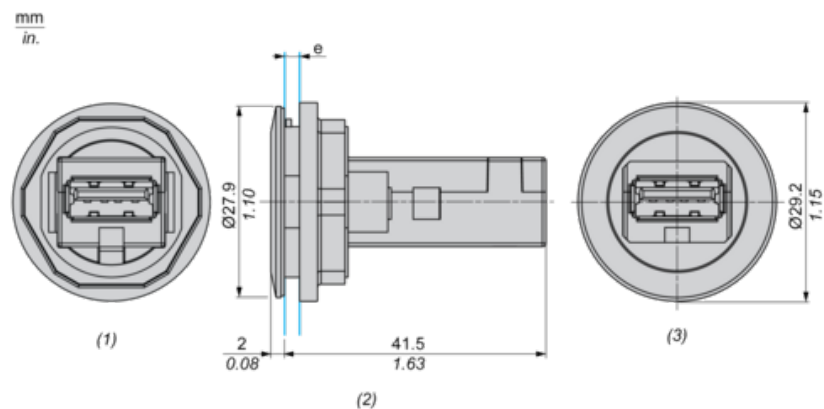
Packing Units

| | |
|------------------------------|------------------------|
| Unit Type of Package 1 | PCE |
| Package 1 Height | 1.26 in (3.2 cm) |
| Package 1 width | 1.97 in (5 cm) |
| Package 1 Length | 3.39 in (8.6 cm) |
| Unit Type of Package 2 | S02 |
| Number of Units in Package 2 | 100 |
| Package 2 Weight | 4.26 lb(US) (1.932 kg) |
| Package 2 Height | 5.91 in (15 cm) |
| Package 2 width | 11.81 in (30 cm) |
| Package 2 Length | 15.75 in (40 cm) |

Offer Sustainability

| | |
|----------------------------|---|
| California proposition 65 | WARNING: This product can expose you to chemicals including: Lead and lead compounds, which is known to the State of California to cause cancer and birth defects or other reproductive harm. For more information go to www.P65Warnings.ca.gov |
| EU RoHS Directive | Pro-active compliance (Product out of EU RoHS legal scope) EU RoHS Declaration |
| Toxic heavy metal free | Yes |
| Mercury free | Yes |
| RoHS exemption information | Yes |
| China RoHS Regulation | China RoHS Declaration |
| Environmental Disclosure | Product Environmental Profile |
| Circularity Profile | End Of Life Information |
| WEEE | The product must be disposed on European Union markets following specific waste collection and never end up in rubbish bins. |

Dimensions

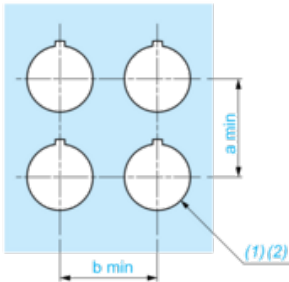


- (1) Rear view
- (2) Side view
- (3) Front view
- (e)

| | |
|--|--|
| | <p>Clamping thickness without accessory: 1.5 mm to 5 mm / 0.05 in to 0.19 in</p> <p>Clamping thickness with ZBSP1 & ZBSP2: 1.5 mm to 5 mm / 0.05 in to 0.19 in</p> <p>Clamping thickness with ZBSP3: 1.5 mm to 2.5 mm / 0.05 in to 0.10 in</p> |
|--|--|

Panel Cut-out for Panel Mounted USB Port

Connection by Screw Clamp Terminals or Plug-in Connectors

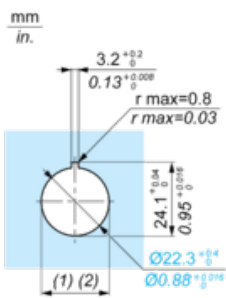


(1) Diameter on finished panel or support

(2) Ø22.5 mm recommended (Ø22.3 0+0.4) / Ø0.89 in. recommended (Ø0.88 in. 0+0.016)

| Connections | a in mm | a in in. | b in mm | b in in. |
|--|---------|----------|---------|----------|
| By screw clamp terminal or plug-in connector | 35 | 1.38 | 35 | 1.38 |

Panel Cut-out



(1) Diameter on finished panel or support

(2) Ø22.5 mm recommended (Ø22.3 0+0.4) / Ø0.89 in. recommended (Ø0.88 in. 0+0.016)