



AM1808 SOM-M1

Essential features for handheld and embedded networking applications

The AM1808 System on Module (SOM) is a compact, product-ready hardware and software solution that fast forwards embedded designs while reducing risk and controlling cost.

Based on the Texas Instruments (TI) AM1808 processor and designed in the SOM-M1 form factor, the AM1808 module offers essential features for handheld and embedded networking applications.

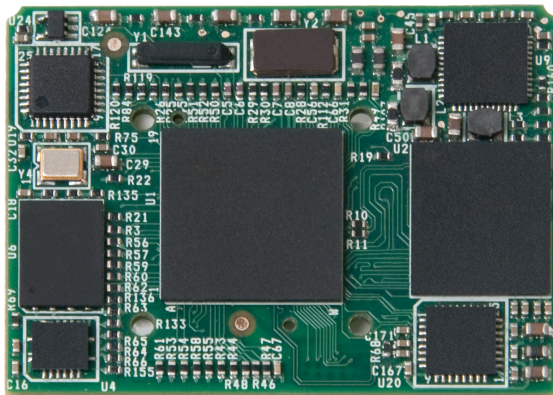
The AM1808 SOM-M1 brings the industry leading low power ARM926 core to a small, off-the-shelf solution. The standard SOM-M1 form factor allows developers to reuse existing baseboard designs when upgrading to new Sitara processors, which extends roadmap possibilities for end-products.

The compact size of the AM1808 SOM-M1 is ideal for medical patient monitoring wearables and other portable instrumentation applications; the built-in Serial ATA (SATA) controller provides fast access to large capacity storage devices. For medical, industrial, audio, and communication products, the AM1808 SOM-M1 allows for powerful versatility, long-life, and greener products.

AM1808 SOM-M1

HIGHLIGHTS

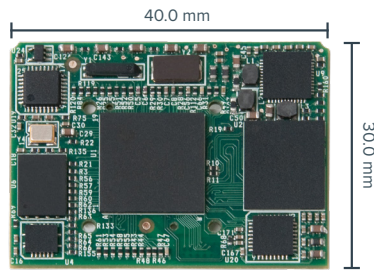
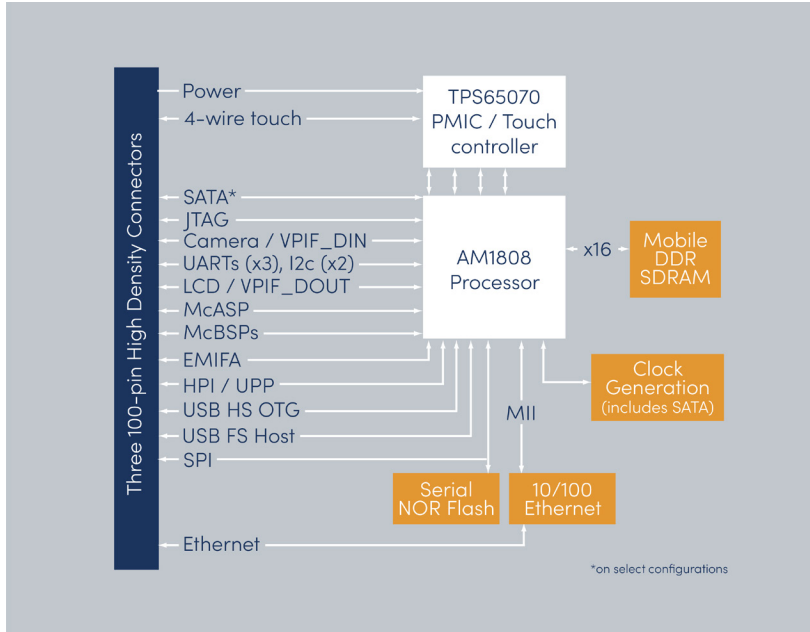
- Product-ready System on Module with a TI AM1808 processor running at 450 MHz
- Compact form factor—SOM-M1 (30 x 40 x 4.5 mm)
- Long product lifecycle
- Linux™ SDKs
- Commercial temp (0°C to 70°C)
Industrial temp (-40°C to 85°C)
- RoHS compliant



AM1808 SOM-M1

**Enlarged to show detail*

AM1808 SOM-M1 Block Diagram



Top View

AM1808 SOM-M1 Ordering Information

MODEL NUMBER	PROCESSOR	SPEED (MHz)	mDDR (MB)	NOR Flash (MB)	10/10 ETHERNET	SATA	TEMP. (°C)
SOMAM1808-10-1503QHCR	AM1808	450	64	16	Y	N	0°-70°
SOMAM1808-10-1603QHIR	AM1808	450	128	16	Y	N	-40°-85°

NOTES:

1. Custom configurations are available by special order. Please contact Beacon EmbeddedWorks Sales for details.

PRODUCT FEATURES

Processor

- TI AM1808 processor with ARM926EJ-S core running at 450 MHz

SDRAM Memory

- Mobile DDR (64 or 128 MB)

Flash Memory

- Scalable serial NOR flash (16 MB standard)

Display

- Programmable color LCD controller supports up to a 16 bpp TFT interface

Touchscreen

- Integrated 4-wire touchscreen controller (TPS65070)

Network Support

- 10/100 Base-T Ethernet controller

Serial ATA Controller

- SATA 1.5 & 3.0 Gbps support

PC Card Expansion

- MMC/SD card support

USB

- One USB 2.0 high-speed On-the-Go interface
- One USB 1.1 full-speed host interface

Serial Ports

- Three external UARTs
- Two I2Cs

GPIO

- Programmable I/O depending on peripheral requirements

Software

- U-Boot (bootloader/monitor)
- Linux™ SDK

Mechanical

- SOM-M1 form factor
- 30.0 mm wide x 40.0 mm long x 4.5 mm high

RoHS Compliant