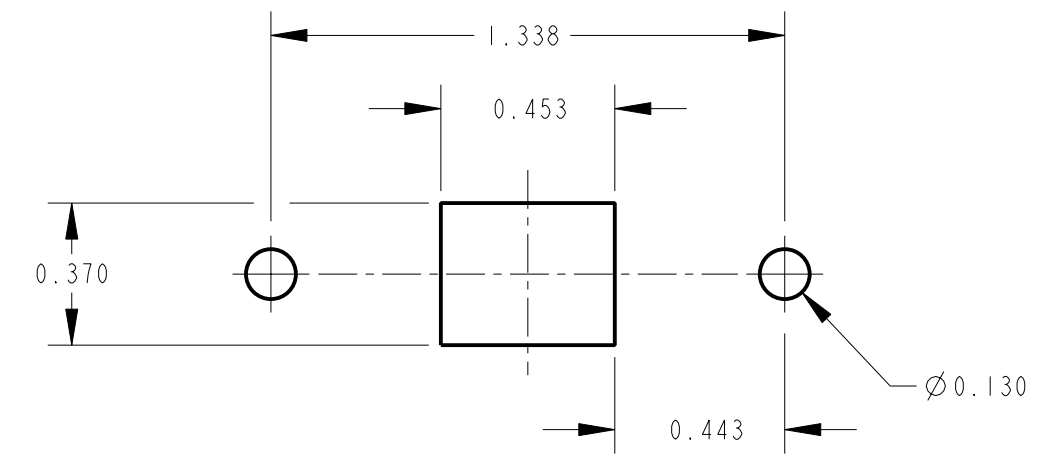
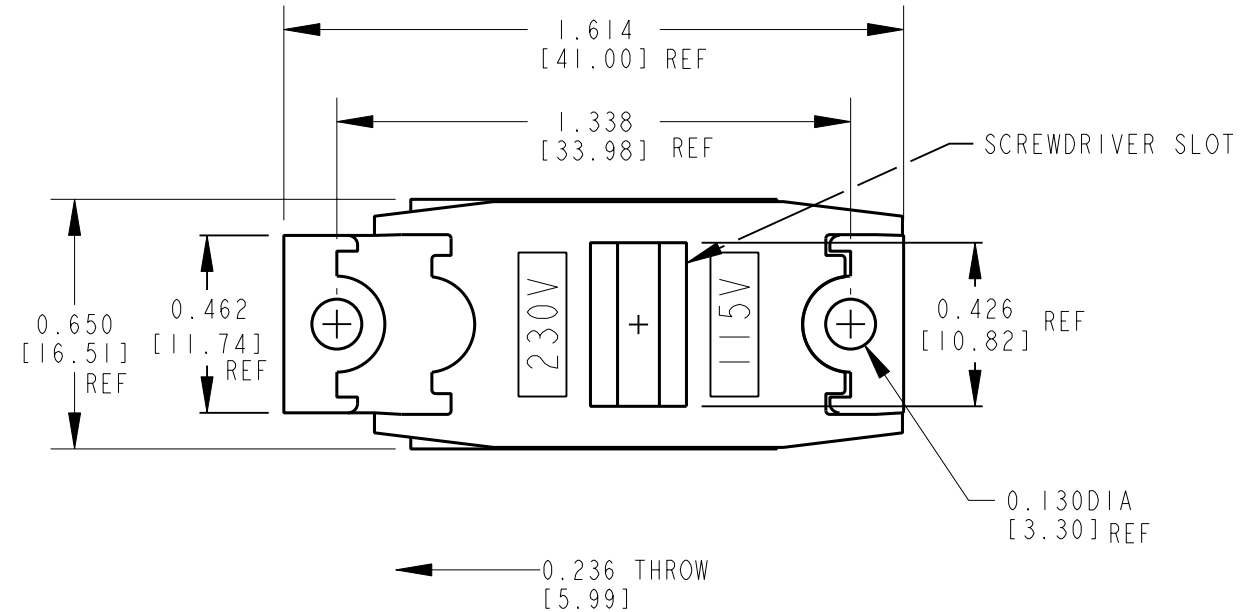
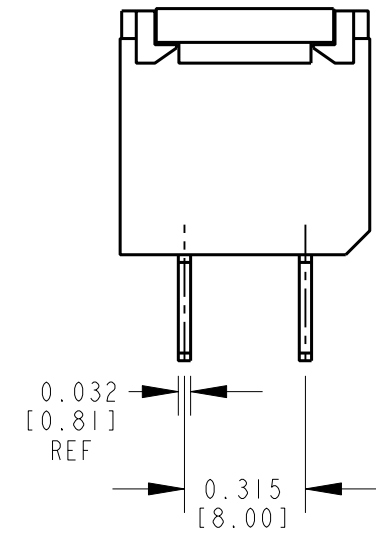
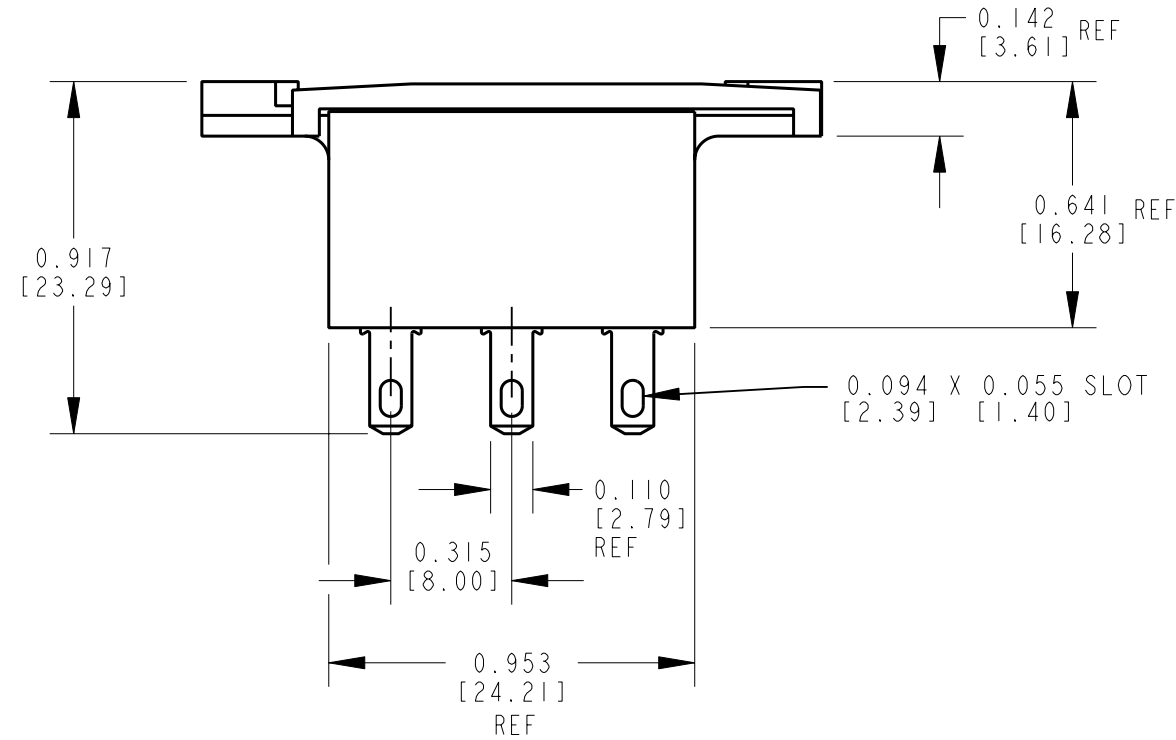


**SUPERSEDED
BY
ECO # 27466**



RECOMMENDED
PANEL CUTOUT



CUSTOMER DRAWING

REV	ECO NUMBER	DATE	BY	APVD
B	FIRST DRAWN	11/11/88	TJK	TJK
REVISIONS				

★ STAR SYMBOL DENOTES CRITICAL DIMENSION

UNLESS OTHERWISE SPECIFIED

1. ALL DIMENSIONS IN INCHES
 - TWO PLACE DECIMALS ±0.01
 - THREE PLACE DECIMALS ±0.005
 - ANGLES ±1°
 - ALL DIA. CONCENTRIC WITHIN 0.005 T.I.R.

2. FEATURES ON THE SAME CENTERLINE
 MUST BE ALIGNED WITHIN ±0.002

3. REMOVE ALL BURRS

DO NOT SCALE DRAWING

THIS DRAWING DESCRIBES A DESIGN CONSIDERED PROPRIETARY IN NATURE, DEVELOPED AND MANUFACTURED BY SWITCHCRAFT INC. AND IS RELEASED ON A CONFIDENTIAL BASIS FOR IDENTIFICATION PURPOSES ONLY.									
SIZE	WIDTH	MULT	LBS/M	TEMPER					
FINISH					MATERIAL				
SPEC No.					SPEC No.				
FIRST USED ON				SCALE					
				DRAWING SCALE					
DATE DRAWN	BY	CHKD	APVD	Switchcraft®					
14-Jan-13	TJK	TJK	TJK						
				SHEET 1 OF 1					
NAME				PART No.				REV	
SLIDE SWITCH				EPS3SL1				B	