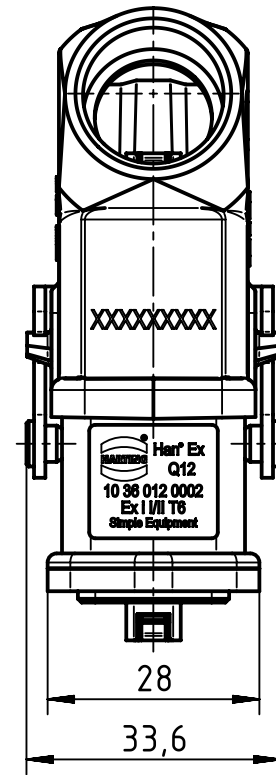
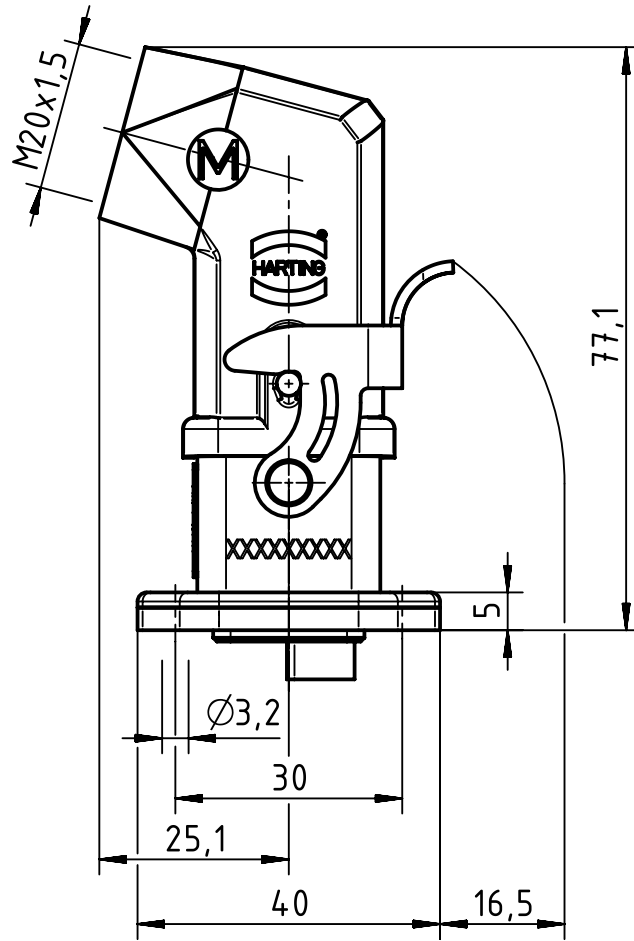
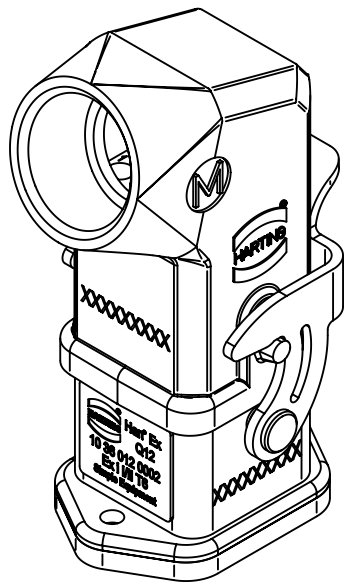
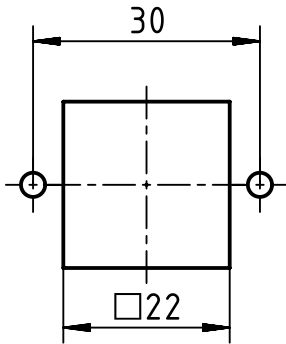


panel cut out



	All Dimensions in mm Original Size DIN A4	Scale 1:1		Free size tol.		Ref.	
						Sub.	
	All rights reserved Department EL PD - DE	Created by HARLASSK	Inspected by MOOR	Standardisation TIEMANNA	Date 2015-05-19	State Final Release	
		Title Han Ex Q12 Kit HBM/HSE-M20					Doc-Key / ECM-Nr. 100568830/UGD/002/B 500000089331
HARTING Electric GmbH & Co. KG D-32339 Espelkamp		Type TB	Number 10 36 012 0002			Rev. B	Page 1/1