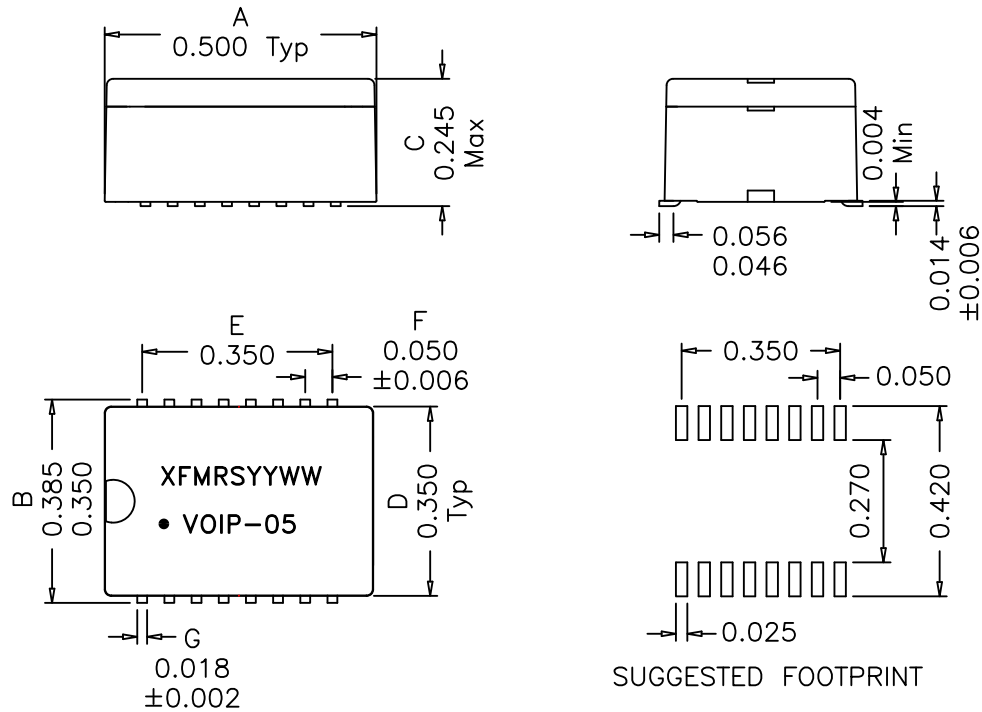
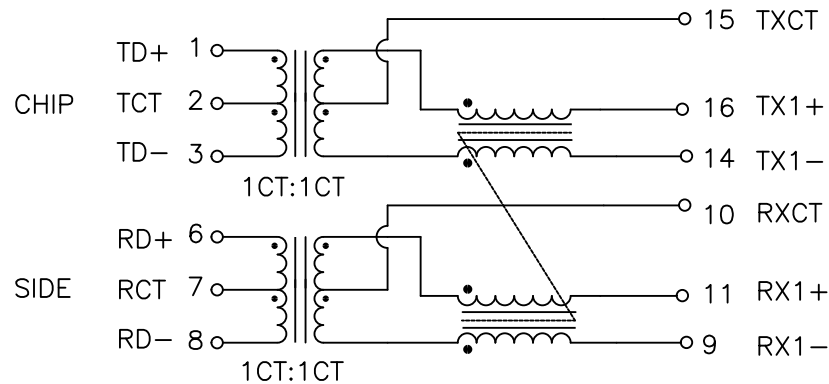


### 1. Mechanical Dimensions:



### 2. Schematic:



DOC. REV: B/7

### 3. Electrical Specifications: @25°C

Isolation Voltage: 1500Vac

OCL: Pins 6–8 350uH Min @100KHz 0.1V, 8mAdc

Pins 1–3 350uH Min @100KHz 0.1V, 8mAdc

Q: Pins 6–8 10 Min @10KHz 50mV

Pins 1–3 10 Min @10KHz 50mV

Insertion Loss: -1.1dB Max @1–100 MHz

Return Loss: (Min @100 Ohms)

1–30MHz	40MHz	50MHz	60–80MHz	80–100MHz
-18dB	-14dB	-14dB	-12dB	-10dB

Differential to Common Mode Rejection: (Min)

30MHz	60MHz	100MHz
-43dB	-38dB	-35dB

Crosstalk: (Min)

30MHz	60MHz	100MHz
-45dB	-40dB	-35dB

DC Current: 350mA

Balanced DC Line Current: 350 mA Max @70Vdc continuous

#### Notes:

1. Solderability: Leads shall meet MIL-STD-202G, Method 208H for solderability.
2. Flammability: UL94V-0
3. ASTM oxygen index: > 28%
4. Constructed with UL Recognized materials.
5. Operating Temperature: -40°C to +85°C
6. Storage Temperature Range: -55°C to +125°C
7. Aqueous wash compatible
8. SMD Lead Coplanarity: 0.004"(0.102mm) Max
9. Electrical and mechanical specifications 100% tested
10. RoHS Compliant Component
11. "YY" means year, "WW" means number of week
12. Recommended IR Reflow peak temp of 250°C Max.

XFMRS Inc. www.XFMRS.com	Title: 10/100TX VOICE OVER IP MAGNETICS MODULES		
	UNLESS OTHERWISE SPECIFIED TOLERANCES: .xxx ±0.010 Dimensions in Inch		P/N: XFVOIP-05 REV. B
SHEET 1 OF 1	DWN.	Huo	Jun-11-18
	CHK.	YK Liao	Jun-11-18
	APP.	BSJ	Jun-11-18

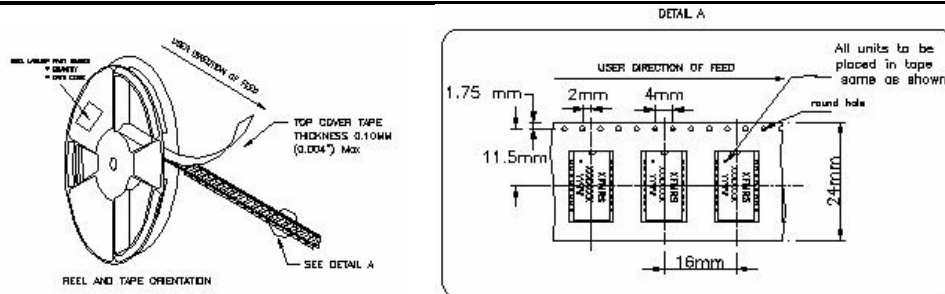
# XFMRS

## EXPENDABLE PACKAGING INFORMATION / QUALIFICATION FORM

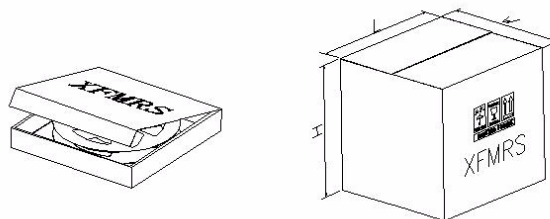
CONCEPT

GENERAL INFORMATION		SUPPLIER INFORMATION	
Part Numbe:	95-N16P-LP-WT	Company Name:	XFMRS
Part Description:	Standard 16pin Lpin parts	Address Line 1:	UNIT G-J, 3/F, BLK 1, GOLDEN DRAGON IND CTR
Weight (lbs.):	0.00264 lbs.approx	State / ZIP:	152-160 TAI LIN PAI ROAD
T&R Notes: 1) PROCESS IN ACCORDANCE WITH EIA-481-2 STANDARDS * TAPE LEADER DIMENSION 15.30" MIN. * TAPE TRAILER DIMENSION 6.30" MIN. 2) PARTS SHOULD BE PACKAGED IN ACCORDANCE WITH ESD GUIDELINES IN EIA-541. 3) REEL LABEL: 'A' * PART NUMBER * QUANTITY * DATE CODE		Country:	HONG KONG, CHINA
		Program Manager:	Peggy Yiu
		Contact E-mail:	<a href="mailto:pyiu@xfmrs.com.hk">pyiu@xfmrs.com.hk</a>
		Contact Phone:	852 2423 1689

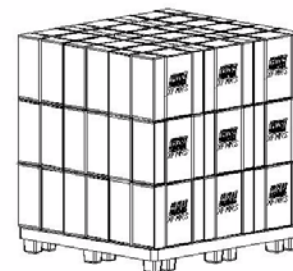
PRIMARY PACKAGING	
Packaging Type:	PS T&R
Dimnsions(cm):	L 33.0   W 33.0   H 2.4
Weight:	1.034 lbs. approx
QPC (Parts Per Reel)	500 pcs.
Total Weight w/parts:	2.35 lbs.
Banding / Shrink / Wrap:	BOPP Wrap
Other:	N/A



SECONDARY PACKAGING	
Packaging Type:	Paper Box
Dimnsions(cm):	L 40.0   W 36.5   H 36.5
Weight:	1.89 lbs.
Boxes per Unit Load:	5000 pcs.
Total weight w/Parts (lbs):	25.93 lbs.approx
Banding / Shrink / Wrap:	BOPP Wrap / PP Banding
Other:	N/A



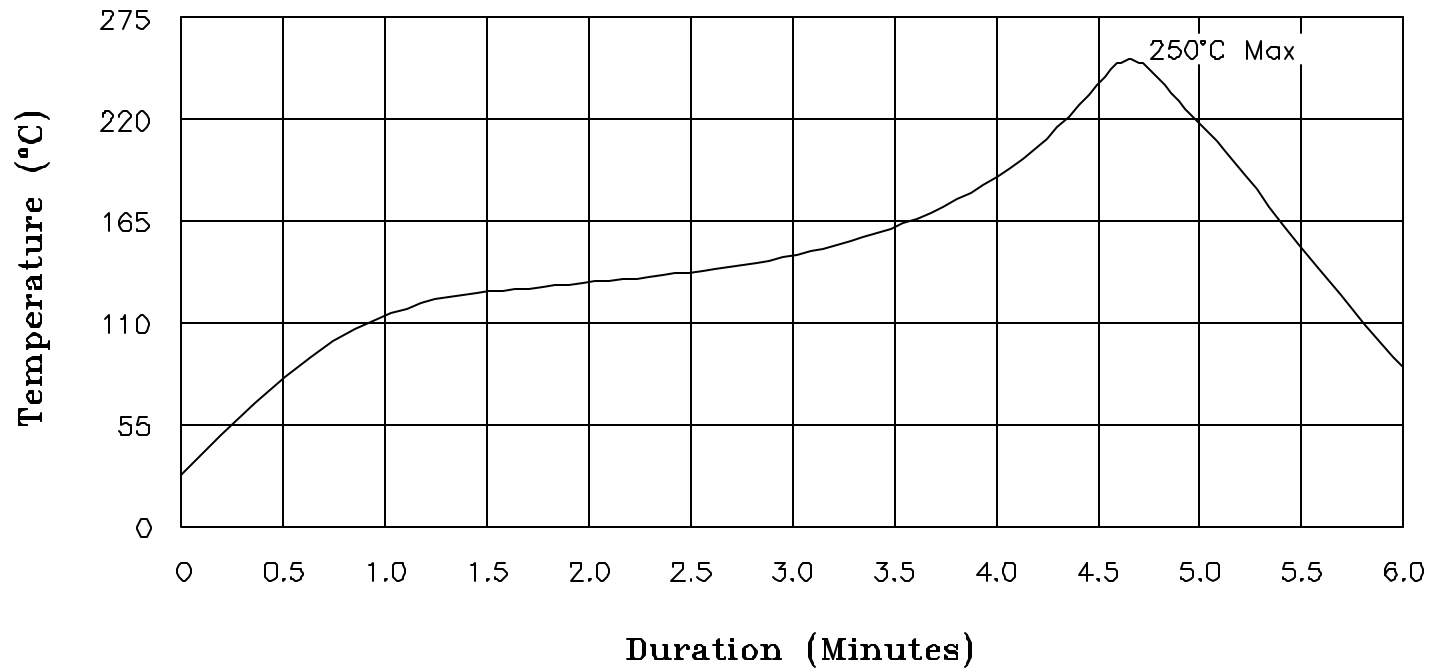
SHIPPING INFORMATION	
Packaging Type:	PE Pallet
Unit Load dims(cm):	L 120   W 100   H 163
Weight:	16.72 lbs.
Number of box Loads:	24 box.
Number of Parts:	120000 pcs.
Load weight total (lbs):	639.09 lbs.approx
Banding / Shrink / Wrap:	PE Shrink



PACKAGING APPROVAL		Drafted	Checked	Approved	Rev	Date
Internal Document Manufacture / Q.A ./ Process Instructions		Kong	Liao	GL	A/1	Jan-26-18

# XFMRs

## Recommended Infrared Reflow Temperature Profile for Select Parts



NOTES: Maximum duration at 250°+0/-5° shall be 10-15 seconds.  
 Maximum duration above 217° shall be 50-120 seconds.  
 ALL Temperatures refer to topside of the package, measured on the package body surface.

<b>XFMRs Inc</b> www.XFMRs.com	Title: <b>IR REFLOW CHART (250°C)</b>			
	UNLESS OTHERWISE SPECIFIED TOLERANCES: N/A		P/N: N/A	REV. A
	DWN.	Juan Mao	Dec-20-06	
	CHK.	YK Liao	Dec-20-06	
SHEET 1 OF 1	APP.	Joe Huff	Dec-20-06	