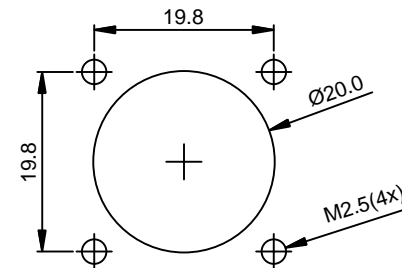
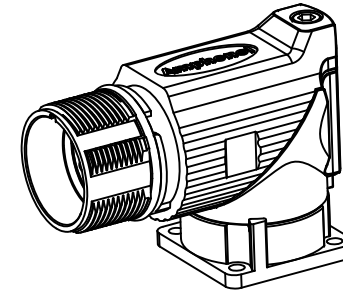
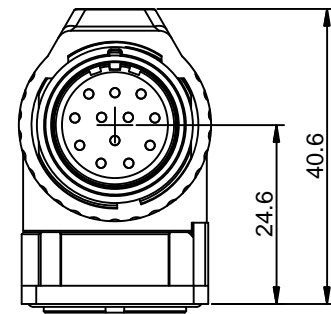
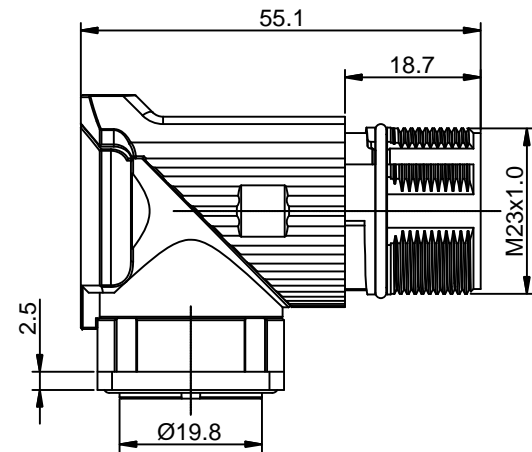
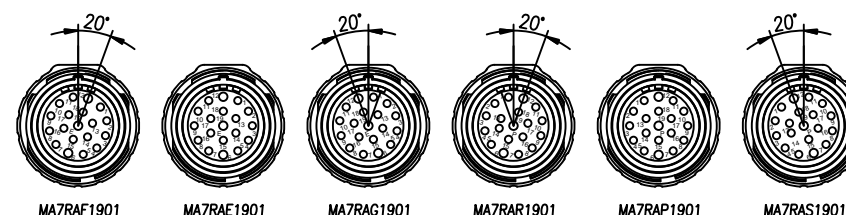
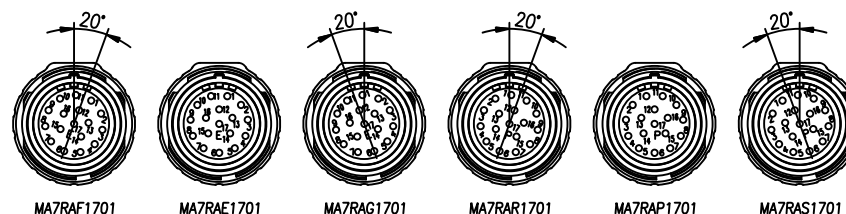
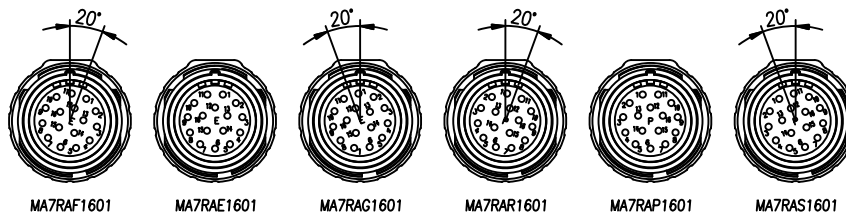
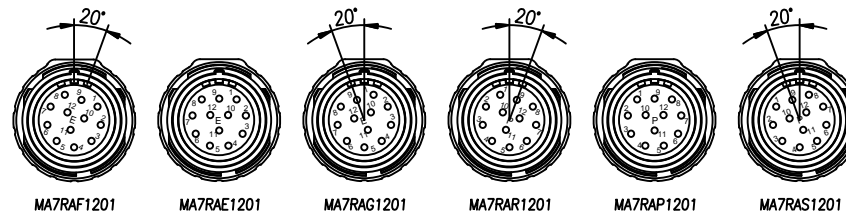
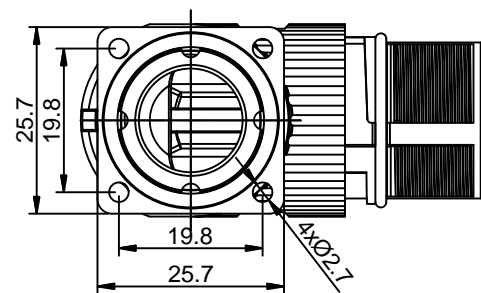


REVISIONS					
REV	ECO	DESCRIPTION	DATE	BY	APPR
A1	-	FIRST RELEASE	Non 20, 2015	Drack	Tommy



MOUNTING HOLE



-	MA7RAS1901	M23, RECP, R/A, ROT, 19POS, P TYPE, KEYED "S"	27
-	MA7RAR1901	M23, RECP, R/A, ROT, 19POS, P TYPE, KEYED "R"	26
-	MA7RAP1901	M23, RECP, R/A, ROT, 19POS, P TYPE	25
-	MA7RAG1901	M23, RECP, R/A, ROT, 19POS, E TYPE, KEYED "G"	24
-	MA7RAF1901	M23, RECP, R/A, ROT, 19POS, E TYPE, KEYED "F"	23
-	MA7RAE1901	M23, RECP, R/A, ROT, 19POS, E TYPE	22
-	MA7RAS1701	M23, RECP, R/A, ROT, 17POS, P TYPE, KEYED "S"	21
-	MA7RAR1701	M23, RECP, R/A, ROT, 17POS, P TYPE, KEYED "R"	20
-	MA7RAP1701	M23, RECP, R/A, ROT, 17POS, P TYPE	19
-	MA7RAG1701	M23, RECP, R/A, ROT, 17POS, E TYPE, KEYED "G"	18
-	MA7RAF1701	M23, RECP, R/A, ROT, 17POS, E TYPE, KEYED "F"	17
-	MA7RAE1701	M23, RECP, R/A, ROT, 17POS, E TYPE	16
-	MA7RAS1601	M23, RECP, R/A, ROT, 16POS, P TYPE, KEYED "S"	15
-	MA7RAR1601	M23, RECP, R/A, ROT, 16POS, P TYPE, KEYED "R"	14
-	MA7RAP1601	M23, RECP, R/A, ROT, 16POS, P TYPE	13
-	MA7RAG1601	M23, RECP, R/A, ROT, 16POS, E TYPE, KEYED "G"	12
-	MA7RAF1601	M23, RECP, R/A, ROT, 16POS, E TYPE, KEYED "F"	11
-	MA7RAE1601	M23, RECP, R/A, ROT, 16POS, E TYPE	10
-	MA7RAS1201	M23, RECP, R/A, ROT, 12POS, P TYPE, KEYED "S"	9
-	MA7RAR1201	M23, RECP, R/A, ROT, 12POS, P TYPE, KEYED "R"	8
-	MA7RAP1201	M23, RECP, R/A, ROT, 12POS, P TYPE	7
-	MA7RAG1201	M23, RECP, R/A, ROT, 12POS, E TYPE, KEYED "G"	6
-	MA7RAF1201	M23, RECP, R/A, ROT, 12POS, E TYPE, KEYED "F"	5
-	MA7RAE1201	M23, RECP, R/A, ROT, 12POS, E TYPE	4
-	MA7RAS1901	M23, RECP, R/A, ROT, 19POS, P TYPE, KEYED "S"	3
-	MA7RAR1901	M23, RECP, R/A, ROT, 19POS, P TYPE, KEYED "R"	2
-	MA7RAP1901	M23, RECP, R/A, ROT, 19POS, P TYPE	1
-	MA7RAG1901	M23, RECP, R/A, ROT, 19POS, E TYPE, KEYED "G"	
-	MA7RAF1901	M23, RECP, R/A, ROT, 19POS, E TYPE, KEYED "F"	
-	MA7RAE1901	M23, RECP, R/A, ROT, 19POS, E TYPE	

QUANTITY	PART NUMBER	DESCRIPTION	ITEM
----------	-------------	-------------	------

MATERIALS LIST

UNLESS OTHERWISE SPECIFIED
 1) All dimensions are in metric(mm).
 2) Tolerances are as follows:
 1 PL DEC ±0.30
 2 PL DEC ±0.15
 3 PL DEC ±0.08
 Fractions ±1/64
 Angles ±1°
 3) Note reference =

SIGNATURES	DATE
DRAWN: Drack	Nov 20, 2015
CHECKED:	
ENGINEER:	
APPROVAL:	

MATERIAL SPECIFICATIONS:

CUSTOMER:

THIS DRAWING IS SUPPLIED FOR INFORMATION ONLY. DESIGN FEATURES, SPECIFICATIONS AND PERFORMANCE DATA SHOWN HEREON ARE THE PROPERTY OF THE AMPHENOL CORPORATION. NO RIGHTS OF REPRODUCTION ARE IMPLIED. ALL DIMENSIONS ARE SUBJECT TO NORMAL MANUFACTURING VARIATIONS.

Amphenol
 Sine Systems - www.amphenol-sine.com
 44724 Morley Drive
 Clinton Township, MI 48036

M23, RECP, ANGLED, ROTATABLE, CHECKMATE

SIZE	TYPE	DWG NO.	REVISION
B	C-	MA7Rxxx01	A1

SCALE: NONE C-MA7Rxxx01 SHEET 1 OF 1

NOTES: UNLESS OTHERWISE SPECIFIED

- MATERIAL:
 INSULATION INSERT: PA66,UL94 V0
 SEAL: VITON
 HOUSING BODY: ZINC DIE CAST, NICKEL PLATED

- SPECIFICATIONS:
 - CURRENT RATING: 10 AMPS - 12 POSITION
 9 AMPS - 16 POSITION
 9 AMPS - 17 POSITION
 7 AMPS - 19 POSITION
 - VOLTAGE RATING: 160V AC/DC - 12 POSITION
 125V AC/DC - 16 POSITION
 125V AC/DC - 17 POSITION
 63V AC/DC - 19 POSITION

- OPERATING TEMPERATURE: -20°C TO +130°C
- DIELECTRIC WITHSTANDING VOLTAGE: LESS THAN 2 MILLIAMPS CURRENT LEAKAGE @ 2500 VOLTS AC.
- DEGREE OF PROTECTION: IP67 (MATED CONDITION)
- DEGREE OF POLLUTION: 3 PER UL840
- OVERVOLTAGE CATEGORY: III PER UL840
- MATING CYCLE DURABILITY: >500 CYCLES
- RoHS COMPLIANT

- ALL DIMENSIONS ARE FOR REFERENCE USE ONLY.

TITLE: M23, RECEPTACLE, ANGLED, ROTATABLE, CHECKMATE
 DWG NO: MA7Rxxx01
 REV: A1
 SH: 1
 OF: 1