

# K5AT Illuminated SMT Tact Switch

## Features

- High bright LED's
- Gold plated dome contact offering superior contact reliability in time
- Excellent ergonomics: sharp tactile feel and audible click
- Reduced space usage on board "2 in 1"
- 40 N overload
- Tape and reel
- RoHS compliant and compatible

## Typical Applications

- Application requiring illumination
- Server, storage
- Network infrastructure
- Telecom
- Medical



Tactile Switches

## Specification

FUNCTION: momentary action  
 CONTACT ARRANGEMENT: Normally Open  
 TERMINALS: SMT with positioning pegs;  
 SMT without positioning pegs is available,  
 contact Customer Service

## Mechanical

Type	Actuation force (N)	Operating life (operations)	Travel (total travel) mm(mm)
K5AT xx 43GP	4.0	100,000	0.45 (0.95)

<sup>1</sup> Tolerances of operating force FA is ± 25%.

## Packaging

Standard: 900 pcs per reel; Reel diameter 380 mm  
 Reduced: 180 pcs per reel; Reel diameter 180 mm

## Electrical

POWER MIN/MAX: 0.02VA / 1.0VA  
 VOLTAGE MIN/MAX: 20mVdc – 32 Vdc  
 CURRENT MIN/MAX: 0.1mA – 100mA  
 CONTACT RESISTANCE: <100m Ω  
 INSULATION RESISTANCE: >1G Ω initial, >10M Ω after damp heat  
 BOUNCE TIME: <10ms

## Environmental

OPERATING TEMPERATURE: -40°C to 125°C  
 STORAGE TEMPERATURE: -55°C to 125°C  
 RELATIVE HUMIDITY: 90 to 96% according to NF EN 60068-2-30  
 PROTECTION: dust protection and flux tight (IP 40)  
 OVERLOAD: 40N min

## Process

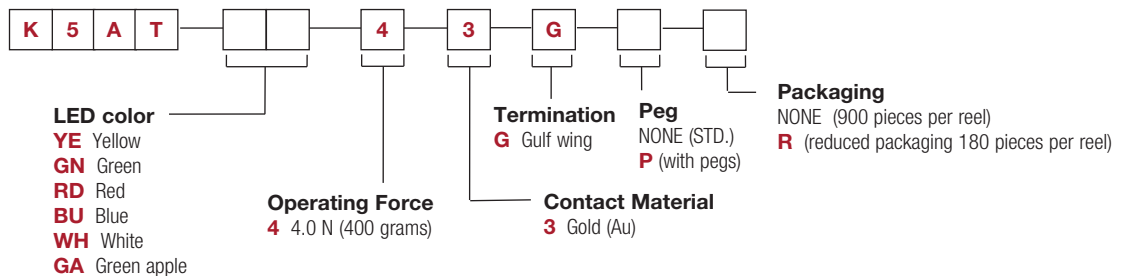
SOLDERING: Compatible with the lead free soldering profile.  
 No washing  
 MSL Level: 5

## Materials

CONTACTS: Au over Ni  
 TERMINALS: Au over Ni  
 HOUSING: Thermoplastic UL94 V0

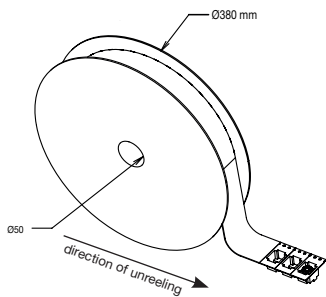
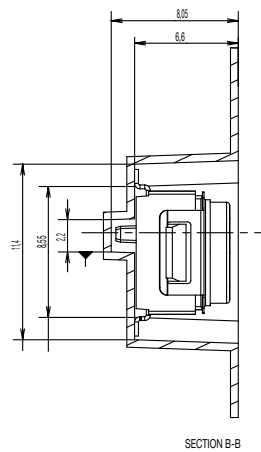
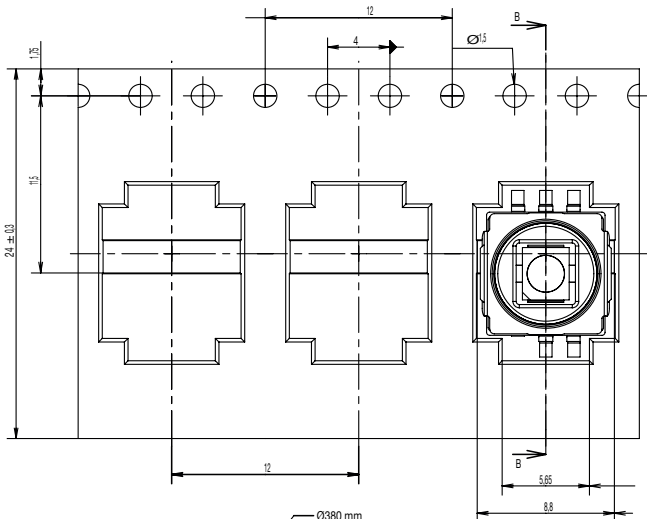
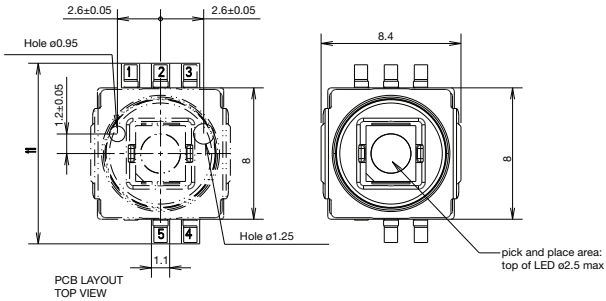
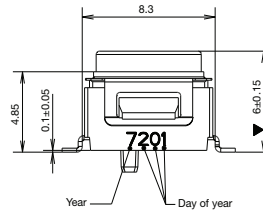
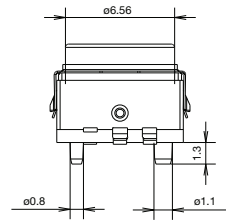
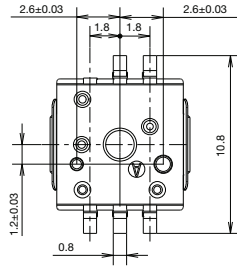
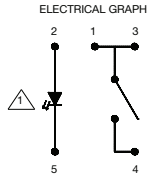
## How To Order

Our easy build-a-switch concept allows you to mix and match options to create the switch you need. To order, select desired option from each category and place it in the appropriate box.

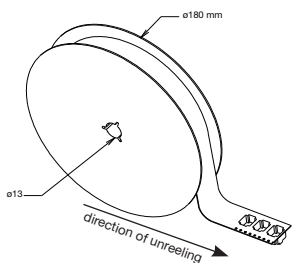


# K5AT Illuminated SMT Tact Switch

K5AT



900 pieces per reel (ø380mm)



180 pieces per reel (ø180mm)



First Angle Projection

Dimensions are shown: mm  
Specifications and dimensions subject to change

Tactile Switches

B